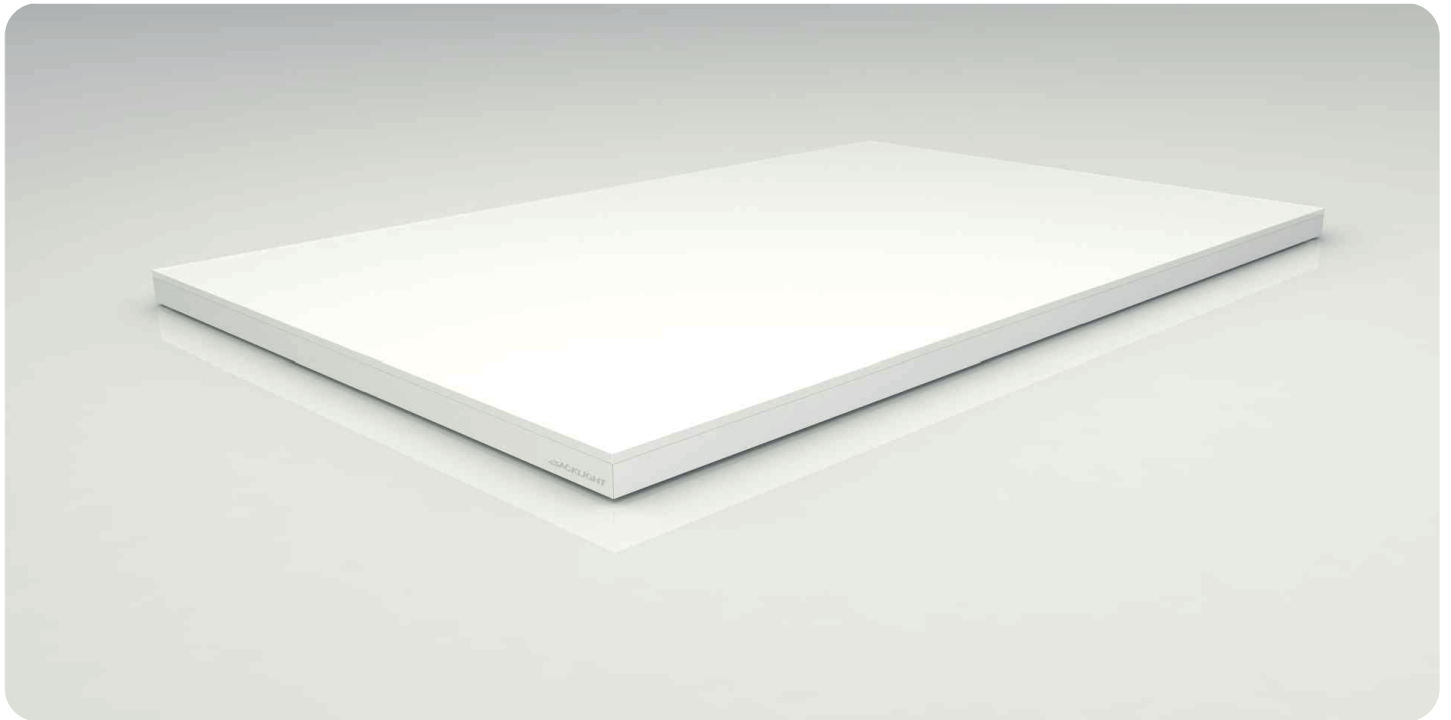






MAGIC CLOUD is a customizable, made-to-measure and made-to-order illuminated panel with uniform lighting emission, even in irregular shapes and customizable mounting systems to suit the needs of the project.

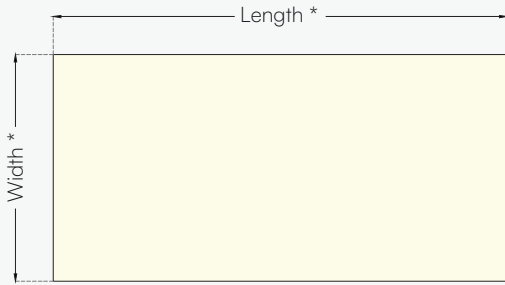


Technical Specs

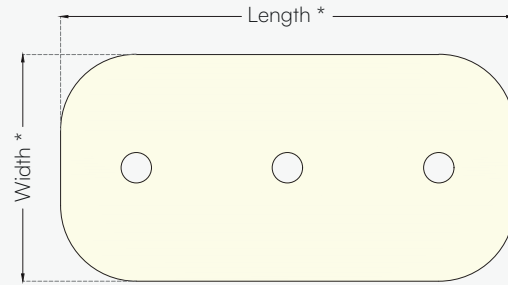
INPUT VOLTAGE	24V DC
DRIVER	AC DC 24V DC OUTPUT (class 2 Power Unit)
DIMMABILITY	YES by all existing systems (0-10V, Dali, DMX, ELV/MLV, Lutron Ecosystem, ...)
POWER CONSUMPTION	Standard bright 14 W per linear ft (4.5 W per linear mt) High bright 28 W per linear mt (9 W per linear ft)
LUMEN DELIVERED	Standard bright 890 lm per linear mt (290 lm per linear ft) High bright 1780 lm per linear ft (580 lm per linear ft)
IP GRADE	IP 40 - suitable for Dry Location (IP 54 - Damp Location under request)
CRI	> 95
WEIGHT	5.7 lbs/sq. ft (25 Kg/sq. mt)
LIFE TIME	70.000 hrs
WARRANTY	3 Years (36 months)
CERTIFICATIONS	<div style="display: flex; align-items: center;"> <div style="margin-right: 20px;">     </div> <ul style="list-style-type: none"> • Ceiling surface Mounted • Ceiling recessed Type IC Inherently protected • Wall surface Mounted • Storage Area of a Clothes Closet </div>

Size

RECTANGLE (R)



CUSTOM (C)
(Need CAD drawings)



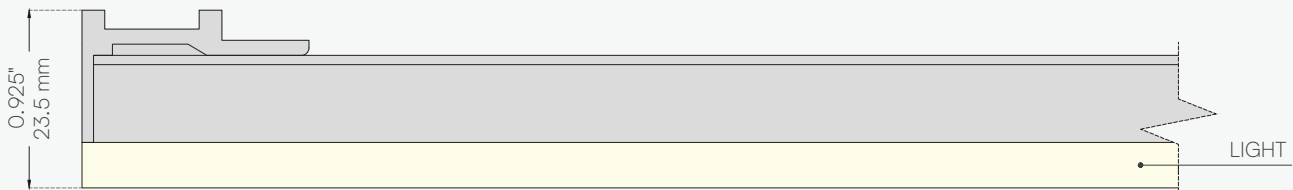
* Custom Width from 8" to 79"

* Custom Width from 203.2 mm to 2006.6 mm

* Custom Length from 8" to 120"

* Custom Length from 203.2 mm to 3048 mm

SECTION OF MAGIC CLOUD
(no mounting system)



Name	Use *	Size *	Kelvin **	Brightness	Dimming	Mounting system *
MAGIC CLOUD	Ceiling Wall Floor	R - Rectangle (Width x Length) C - Custom (Need CAD drawings)	<ul style="list-style-type: none"> ● 2000 K ● 2700 K ● 3000 K ● 3500 K ● 4100 K ● 5000 K ● Dim to Warm ** ● Tun W(20K-65K / 3 wires) ● Tun W(27K-65K / 3 wires) ● ● ● RGB 	Standard bright (4.5 W/ft - 14 W/mt) High bright (9 W/ft - 28 W/mt)	No dimming 0-10V Dali DMX ELV/MLV Lutron Ecosystem	No mounting system Fastmount Screws Frame by others Steel Cords (Shy suspended) Uplight (Laying on existing)

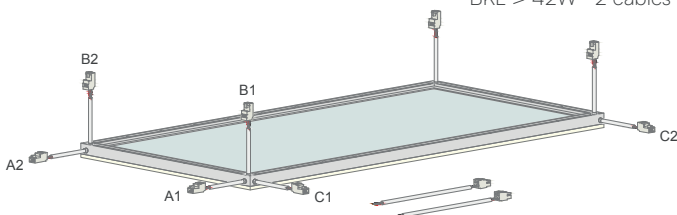
* Backlight reserves the right to modify and advise in case the dimension of the panel doesn't allow to use the system selected.

** Other Kelvin, Dim to Warm (19K-30K / 2 wires), RGBW and RGBTW under request.

Cable options

A - end feed B - backfeed C - side feed

BKL < 42W 1 cable
BKL > 42W 2 cables



Cables from BKL ~ 20" (500 mm) + Extension cables ~ 40" (1000 mm)
Custom length of cables under request. BKL _____ + Exten _____

Other options

IP: IP40 (Dry location) or IP54 (Damp location)

FINISH: Standard RAL 9010

(Custom RAL _____ under request)

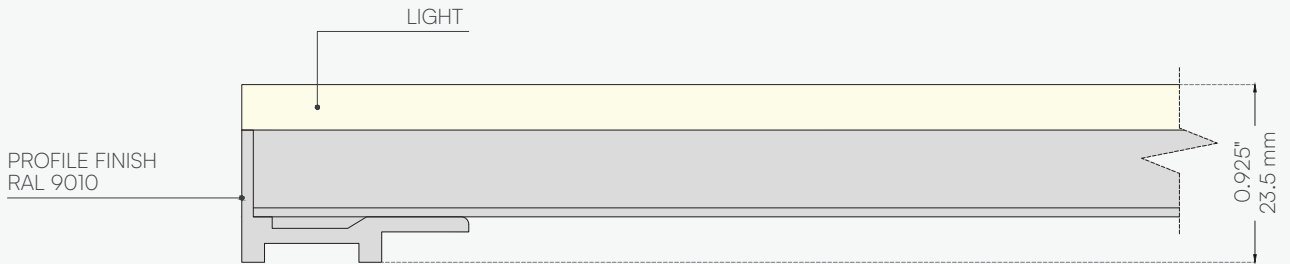
PRINTING: Printing on Backlight surface using a new UV technology
(High Resolution file needed)

FACE WORKING: Lowering of the surface for your framing accomodation

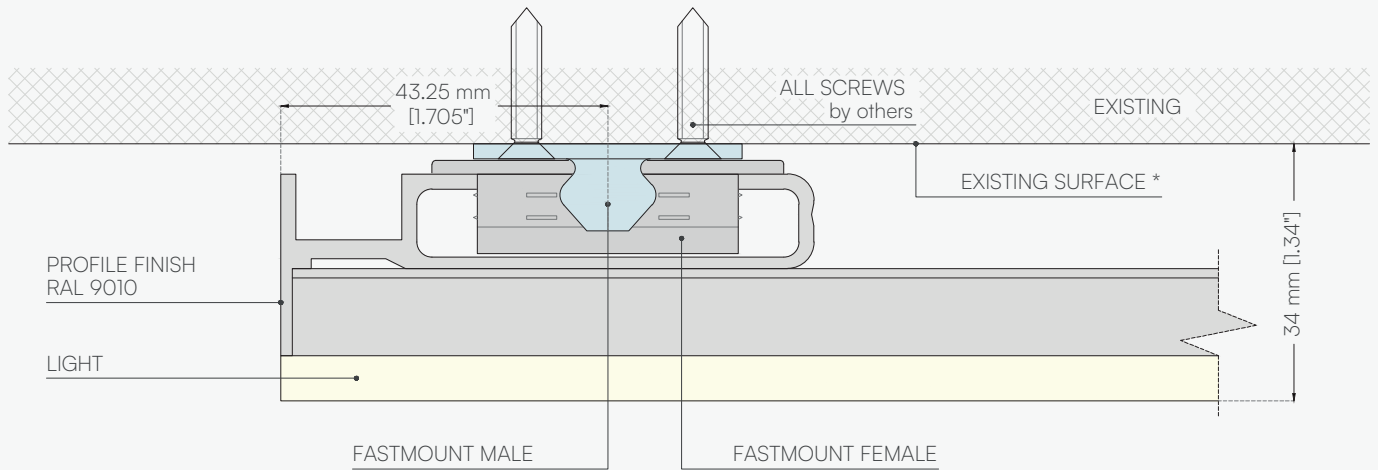
NOTE: _____

Mounting system

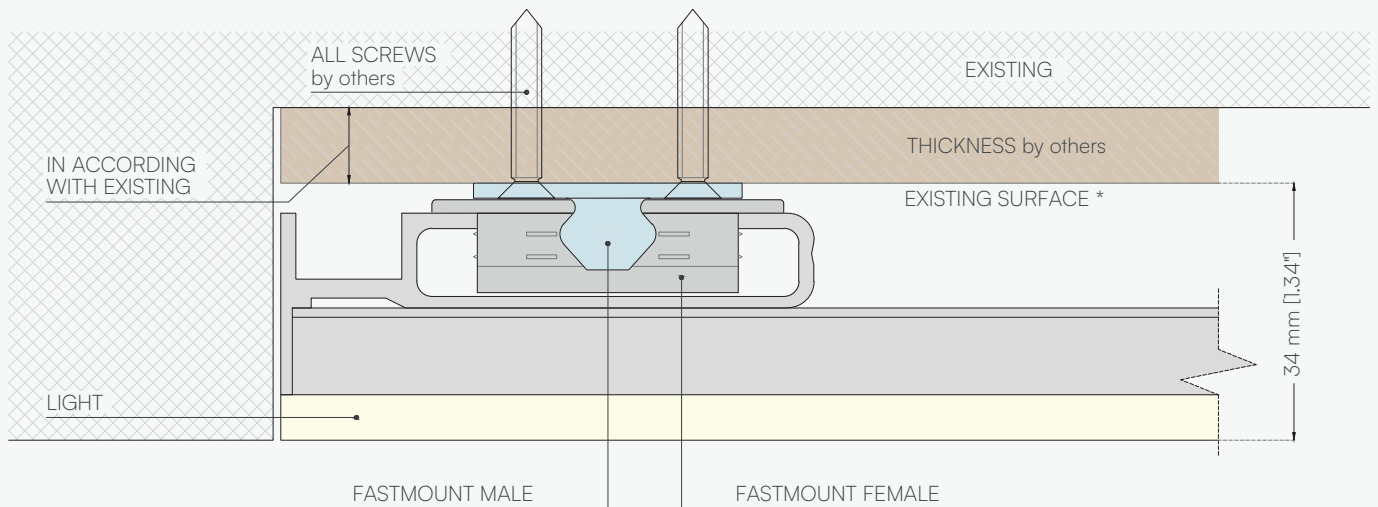
NO MOUNTING SYSTEM - Max width 2006.6 mm (79") / Max length 3048 mm (120")



FASTMOUNT SURFACE MOUNTING - For Ceiling Max width 304.8 mm (12") / Max length 3048 mm (120")
For Wall Max width 2006.6 mm (79") / Max length 3048 mm (120")



FASTMOUNT RECESSED MOUNTING - For Ceiling Max width 304.8 mm (12") / Max length 3048 mm (120")
For Wall Max width 2006.6 mm (79") / Max length 3048 mm (120")

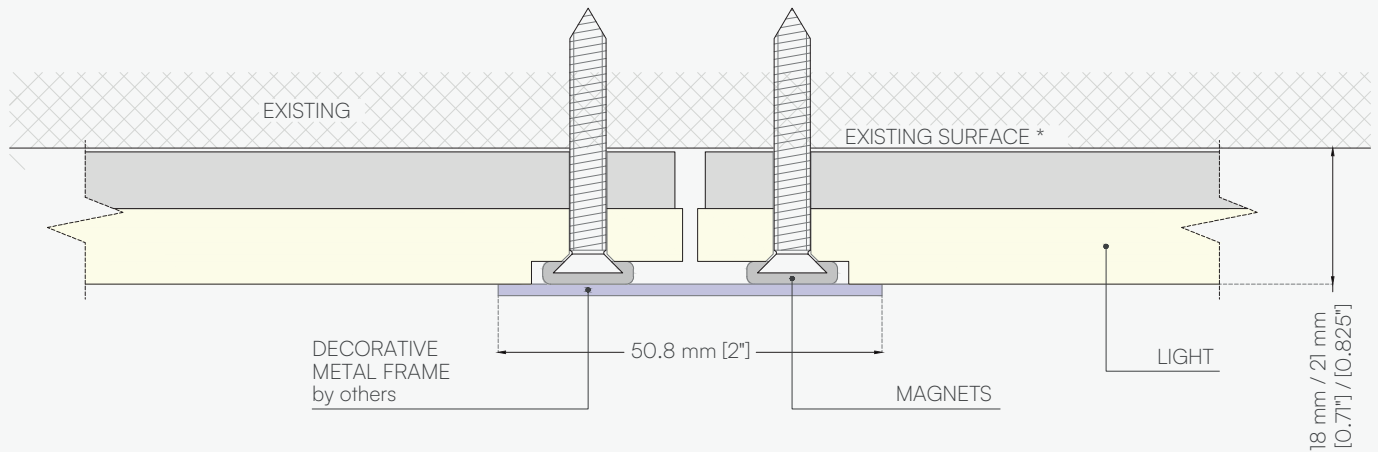
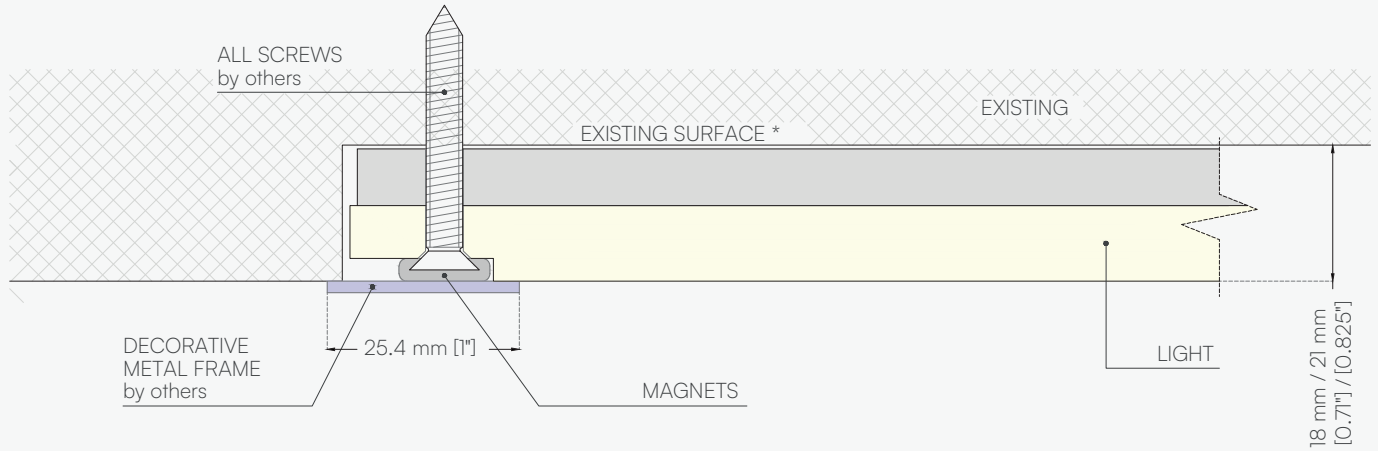


* EXISTING SURFACE must be flat.

Mounting system

SCREWS - For Ceiling Max width 914.4 mm (36") / Max length 3048 (120")

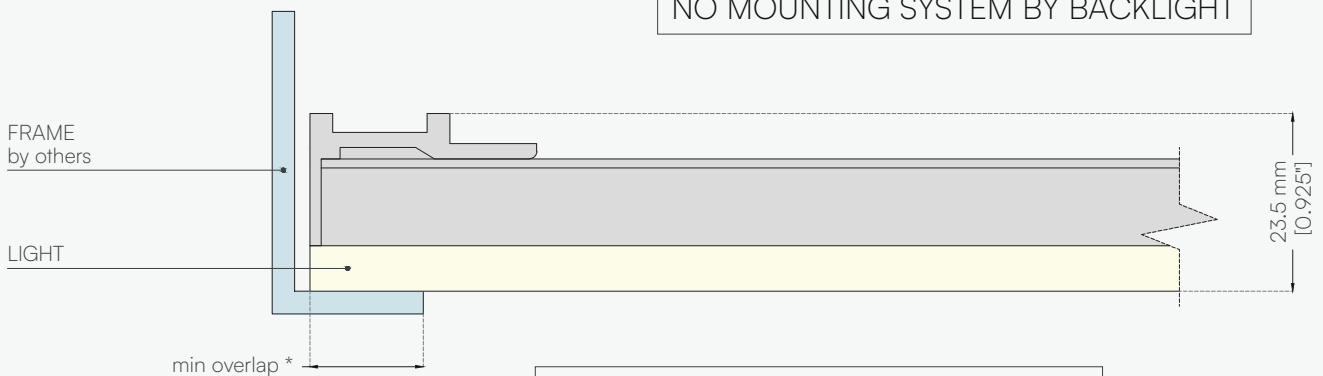
For Wall Max width 1219.2 mm (48") / Max length 3048 (120")



* EXISTING SURFACE must be flat.

FRAME BY OTHERS - For Ceiling Max width 1371.6 mm (54") / Max length 3048 (120")

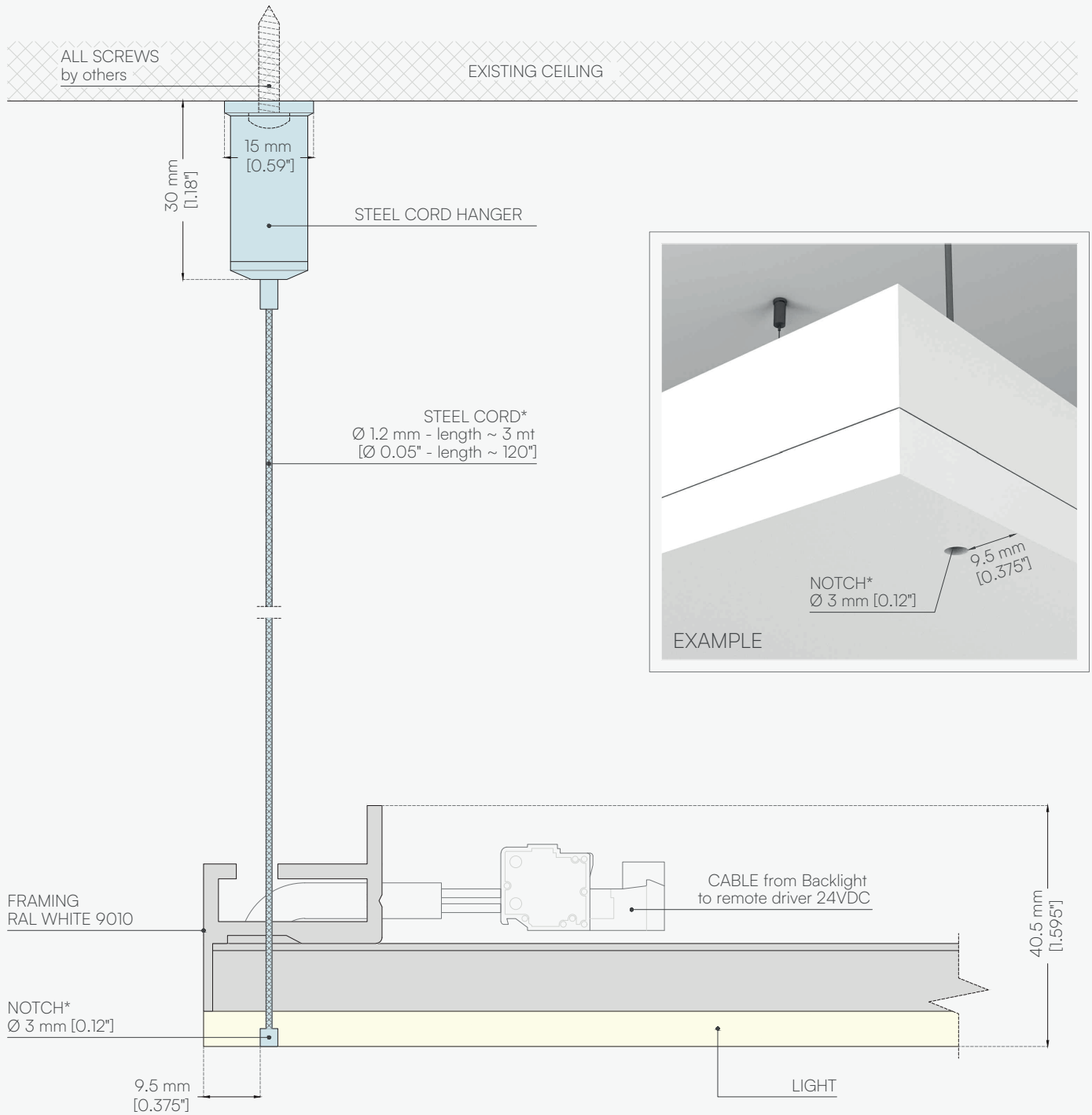
NO MOUNTING SYSTEM BY BACKLIGHT



FRAME OVERLAP *	
PANEL WIDTH (short side)	OVERLAP
until 609.6 mm (24")	12.7 mm (0.5")
from 609.6 (24") to 1219.2 mm (48")	25.4 mm (1")
from 1219.2 (48") to 1371.6 mm (54")	50.8 mm (2")

Mounting system

STEEL CORDS - SHY PLUS SUSPENDED - For Ceiling Max width 914.4 mm (36") / Max length 3048 (120")

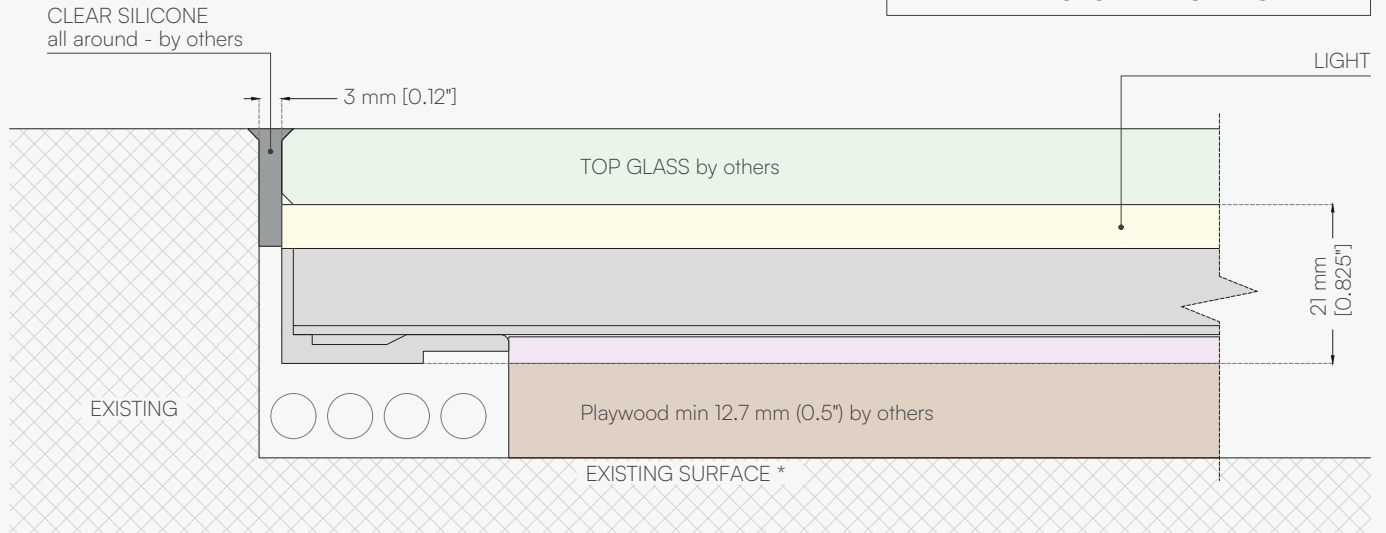


* Number of steel cords depends on the size and weight.

Mounting system

UPLIGHT LAYING ON EXISTING - Max width 2006.6 mm (79") / Max length 3048 mm (120")

NO MOUNTING BY BACKLIGHT
LAYING ON EXISTING



* EXISTING SURFACE must be flat.

Project: _____

Date: _____

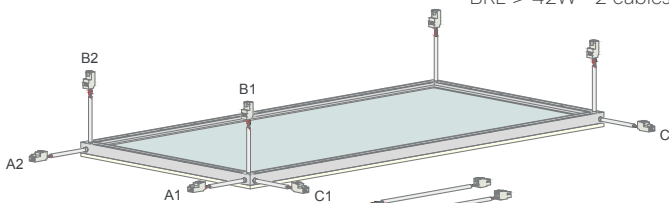
Rev: _____

Name	Use *	Size *	Kelvin **	Brightness	Dimming	Mounting system *
MAGIC CLOUD	Ceiling Wall Floor	R - Rectangle (Width x Length) C - Custom (Need CAD drawings)	<p>● 2000 K</p> <p>● 2700 K</p> <p>● 3000 K</p> <p>● 3500 K</p> <p>○ 4100 K</p> <p>○ 5000 K</p> <p>⦿ Dim to Warm **</p> <p>● Tun W(20K-65K / 3 wires)</p> <p>● Tun W(27K-65K / 3 wires)</p> <p>● RGB</p>	Standard bright (4.5 W/ft - 14 W/mt) High bright (9 W/ft - 28 W/mt)	No dimming 0-10V Dali DMX ELV/MLV Lutron Ecosystem	No mounting system Fastmount Screws Frame by others Steel Cords (Shy suspended) Uplight (Laying on existing)

* Backlight reserves the right to modify and advise in case the dimension of the panel doesn't allow to use the system selected.

** Other Kelvin, Dim to Warm (19K-30K / 2 wires), RGBW and RGBTW under request.

Q.ty	Type	Use *	Width	Length / Height	Mounting system *

Cable options	Other options
<p>A - end feed B - backfeed C - side feed</p> <p>BKL < 42W 1 cable BKL > 42W 2 cables</p>  <p>Cables from BKL ~ 20" (500 mm) + Extension cables ~ 40" (1000 mm) Custom length of cables under request. BKL _____ + Exten _____</p>	<p>IP: IP40 (Dry loc.) or IP54 (Damp loc.)</p> <p>FINISH: Standard RAL 9010 (Custom RAL _____ under request)</p> <p>PRINTING: Printing on Backlight surface using a new UV technology (High Resolution file needed)</p> <p>FACE WORKING: Lowering of the surface for your framing accomodation</p> <p>NOTE: _____ _____ _____</p>