

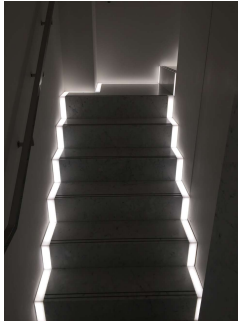
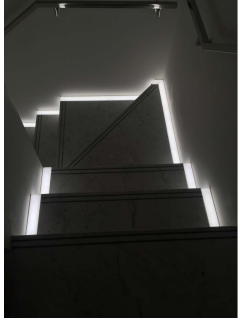
Some inspirations

STAIRS

MANUFACTURER : BACKLIGHT srl

CONTACT info@backlightsrl.com

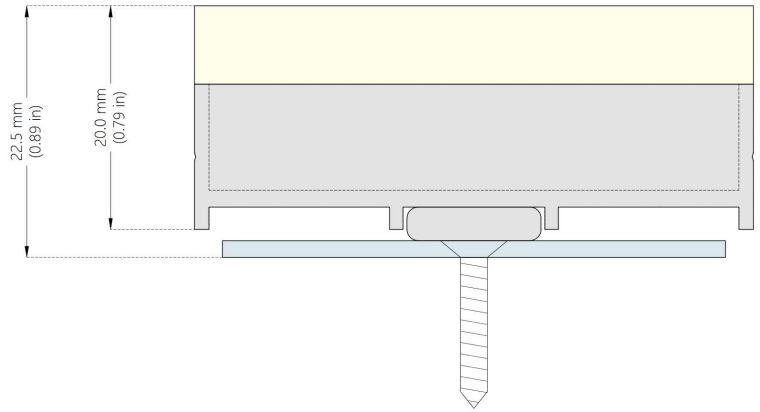
Representative SCOPE of WORK



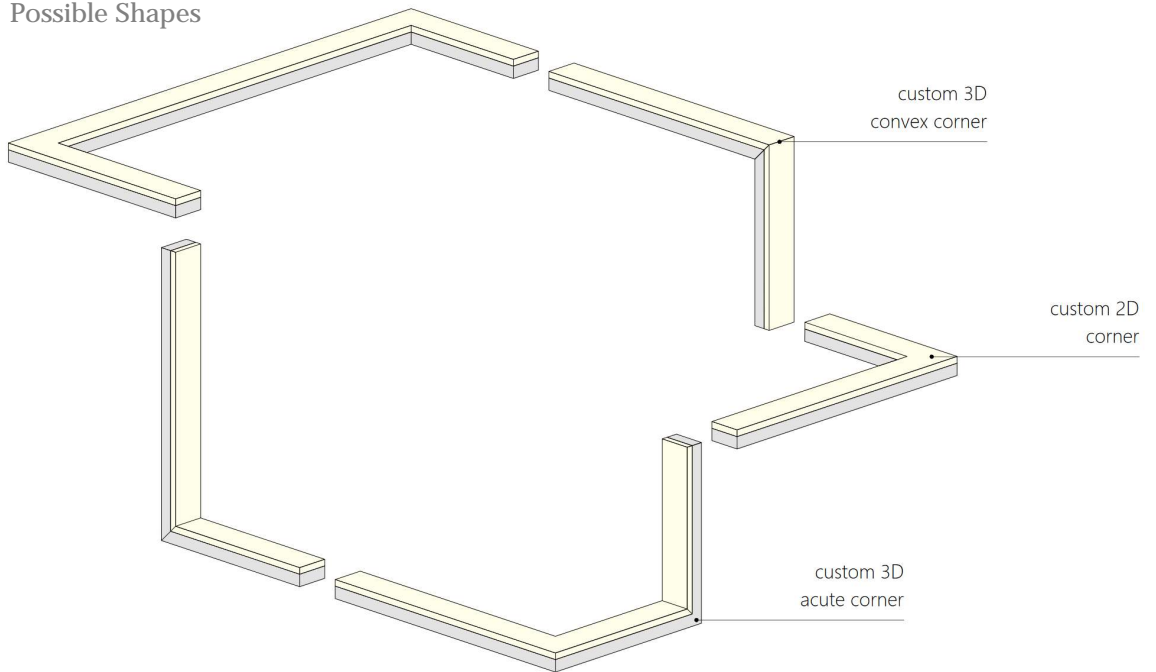
Description of SYSTEM

Fully customized lighting RUN

Representative SECTION of SYSTEM



Possible Shapes



Lighting Module



Family MARKER FULLY UNDER DRAWING

Technical Spec

INPUT 24 VDC
 DIMMING ELV/MLV, 0-10V, DALI ,LUTRON , DMX
 WATTAGE 14 W and 28 W / line mt - 4.5 and 9.0 W / line ft
 LUMENS depending on module size
 MIN SIZE 15 mm x 101.6 mm - 0.59 in x 4 in
 MAX SIZE 203.2 mm x 3048 mm - 8 in x 120 in (for different sizes please contact us)
 WEIGHT 25 Kg/ sq. mt - 5.7 lbs/sq.ft
 THICKNESS 22.5 mm - 0.885 in
 CERTIFICATIONS CE-EAC-cULus-Storage Area of Clothes Closet
 IP GRADE IP40
 DRY LOCATION (DAMP LOCATION UNDER REQUEST)

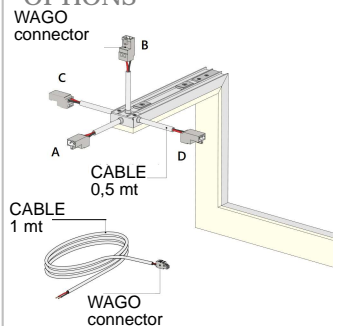
Kelvin Options

2700 K
 3200 K
 3500 K
 4100 K
 5000 K
 Tunable (2700 to 6500K)
 RGB
 RGB+W (double layer)

CRI

>80
 >95

Cable OPTIONS



PRODUCT USED

Some inspirations

STAIRS

MANUFACTURER : BACKLIGHT srl

CONTACT info@backlightsrl.com

Representative SCOPE of WORK

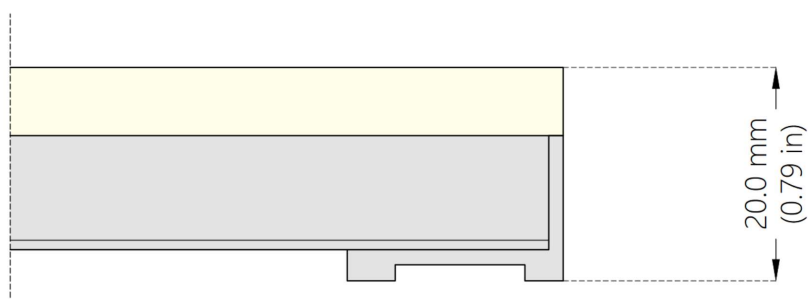


SYSTEM

Description of SYSTEM

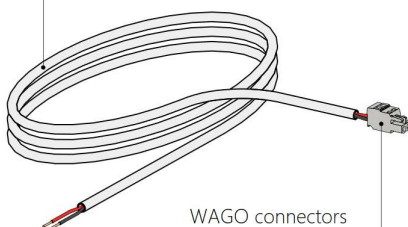
Lighting Steps

Representative SECTION of SYSTEM

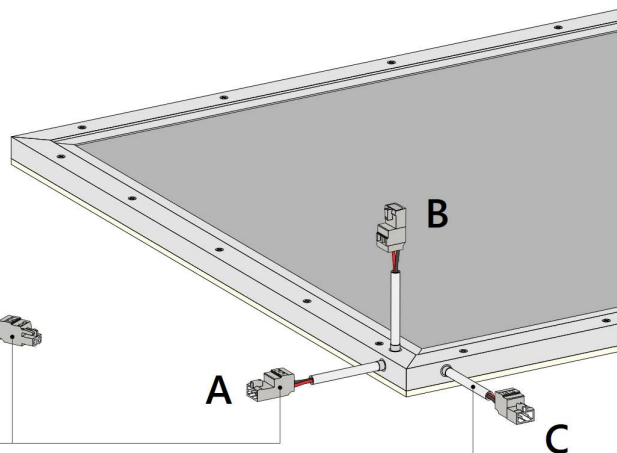


Cable OPTIONS

extension cable
1.00 mt (3.0 ft) length*



WAGO connectors



cable from Backlight panel
0.50 mt (1.6 ft) length*

Lighting Module



PRODUCT USED

Family MAGIC CLOUD
CUSTOM ANGLE EDGE

Technical Spec

INPUT 24 VDC
 DIMMING ELV/MLV, 0-10V, DALI, LUTRON, DMX
 WATTAGE 14 W and 28 W / line mt - 4.5 and 9.0 W / line ft
 LUMENS depending on module size
 MIN SIZE 15 mm x 101.6 mm - 0.59 in x 4 in
 MAX SIZE 711.2 mm x 3048 mm - 28 in x 120 in
 (for different sizes please contact us)
 WEIGHT 25 Kg/ sq. mt - 5.7 lbs/sq.ft
 THICKNESS 23.5 mm - 0.925 in
 CERTIFICATIONS CE-EAC-cULus-Storage Area of Clothes Closet
 IP GRADE IP40
 DRY LOCATION (DAMP LOCATION UNDER REQUEST)

Kelvin Options

2700 K
 3200 K
 3500 K
 4100 K
 5000 K
 Tunable
 (2700 to 6500K)
 RGB
 RGB+W
 (double layer)

CRI

>80
 >95