



your lighting inspiration



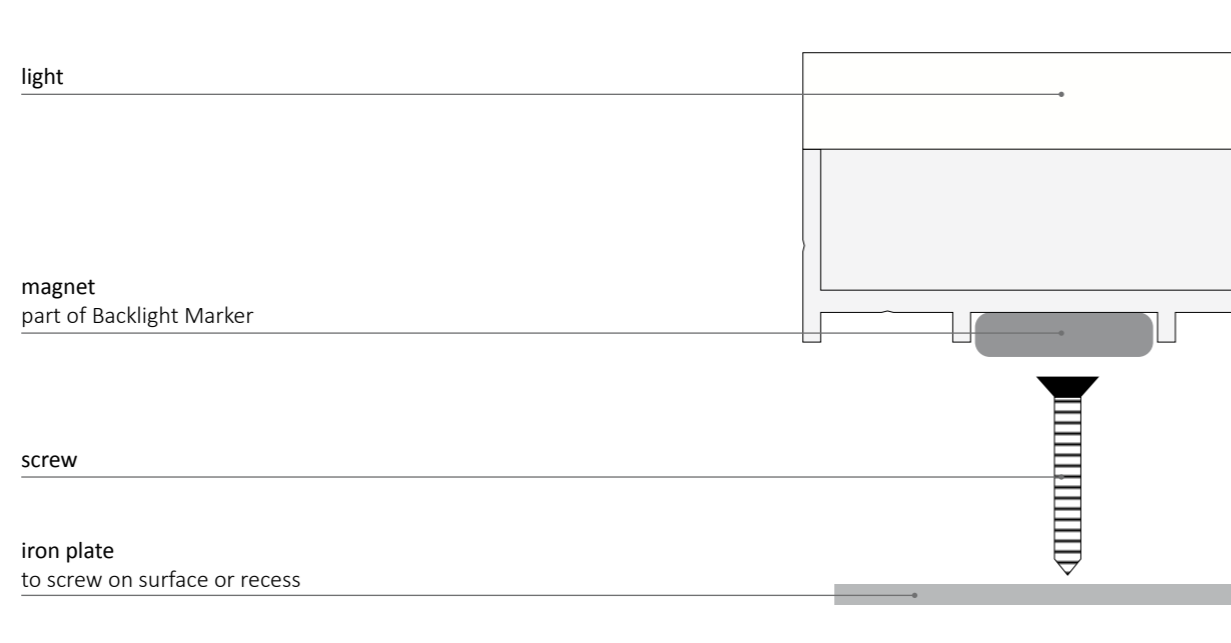
Boundless linearity and geniality.
A magic pen with which to design the
architecture of light in any situation.
Arrogance and personality of those
who are aware.
The dot over the “i”.

- 98 SECTION
- 99 POSSIBLE SHAPING
- 100 MADE TO MEASURE
- 101 TECHNICAL SPECS AND HOW TO HANDLE
- 102 CABLE OPTIONS
- 103 STANDARD FIXING ON SURFACE AND RECESS
- 104 CUSTOM MADE FIXING CHANNELS
- 105 STANDARD FIXING ON FLOOR AND STAIRS

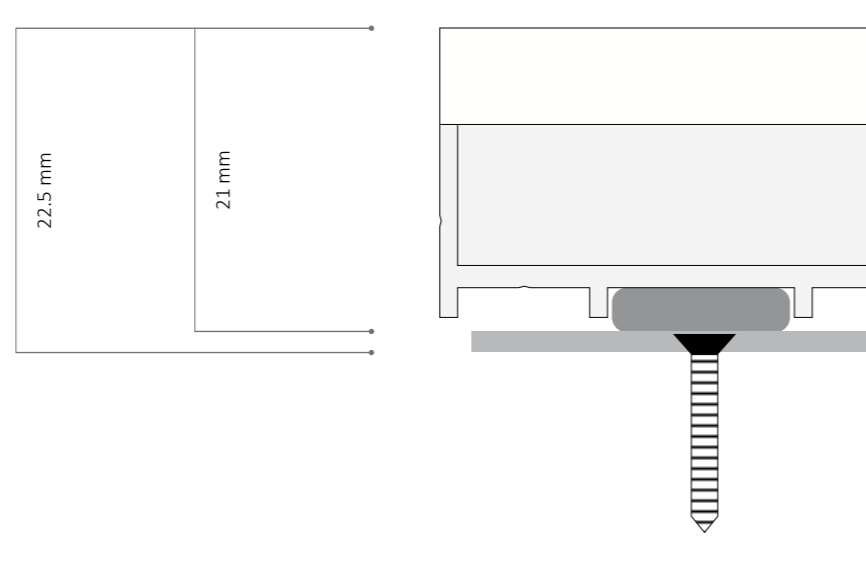


SECTION

MARKER



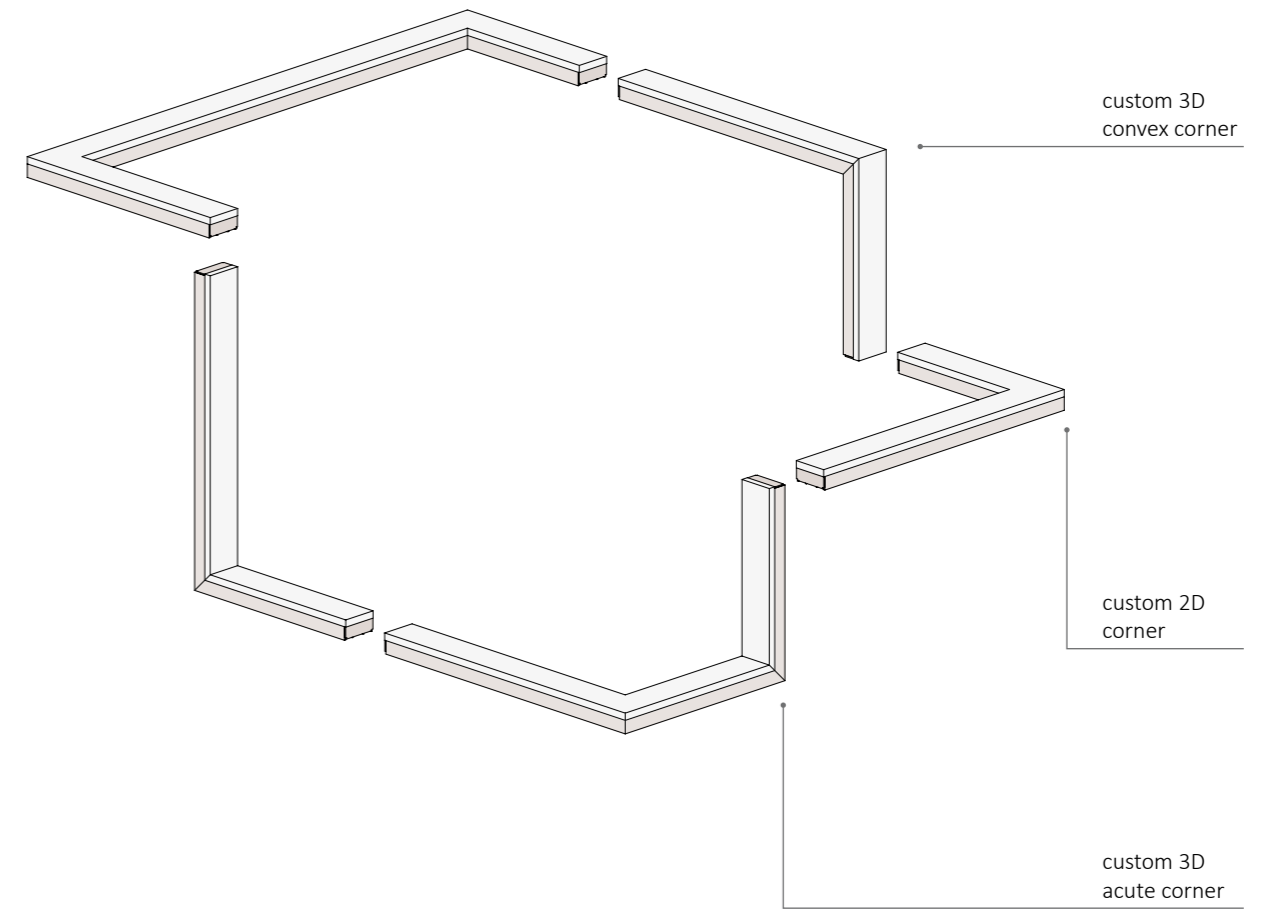
section



BACKLIGHT

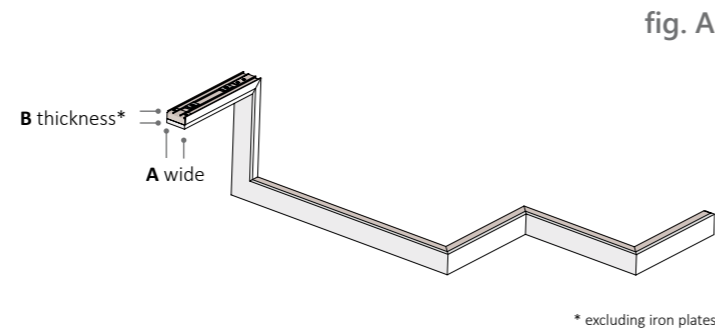
POSSIBLE SHAPING

MARKER



www.backlightsrfl.com

MADE TO MEASURE



14 W per line mt

name	A (fig. A)	length and shapes	B (fig. A)	watts per line mt	light temps. available	cable options	lumen package per line mt	lumen delivered per line mt	use
MARKER	15 mm 30 mm 35 mm 40 mm 50 mm 55 mm 76 mm 100 mm 200 mm	under drawing	21 mm (22.5 mm including the iron plate)	14 W	2700 K 3200 K 3500 K 4100 K 5000 K Tunable W RGB RGB+W	A B C D (see p. 102)	1484 mm	890 mm	W (wall) C (ceiling) F (floor)

HOW TO CODIFY

name	A (fig. A)	light temp	cable options	cable length from device*	extending cable length*	use	length and shapes
MARKER	35MM	2700 K	A	50CM	1MT	W	Please send the CAD file of Your project to info@backlightsrl.com You will get a dedicate data sheet.

example **MARKER-35MM-2700K-A-50CM-1MT-W**

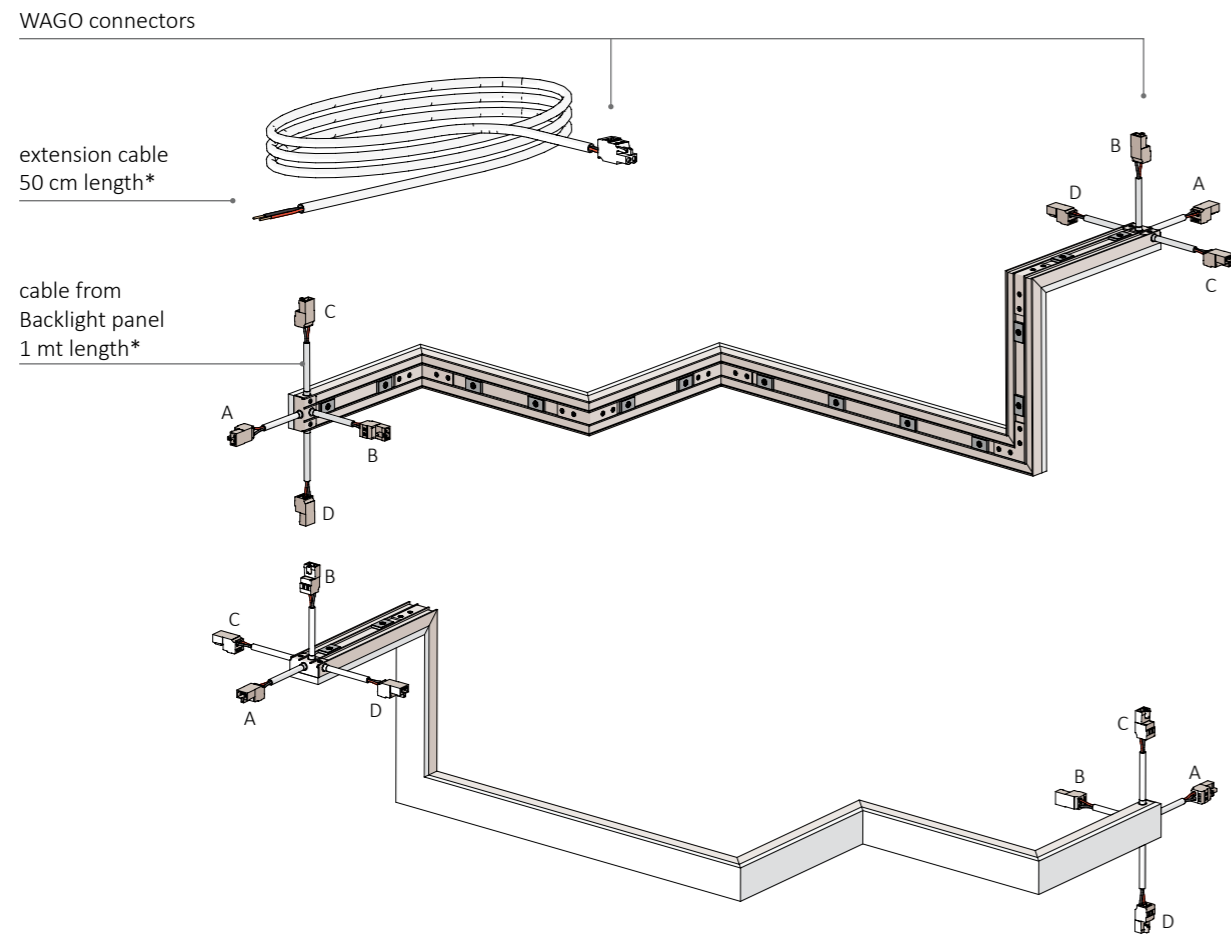
* under request (min 2 in, max 65 ft)

TECHNICAL SPECS AND HOW TO HANDLE

input voltage	24V DC
driver	AC DC 24V DC OUTPUT (class 2 Power Unit)
dimmability	by all existing systems
power consumption	14 W per linear mt
min. size	under drawing
max. size	under drawing
thickness	see p. 98
weight	25 Kg/sq. mt
IP grade	IP40 IP54 (under request)
colour temperatures	 2700 K 3200 K 3500 K 4100 K 5000 K tunable white RGB RGB+W and other K under request
CRI	RA 85 RA min. 90 R9 min. 50
lumen package	1484 mm per linear mt
lumen delivered	890 mm per linear mt
life time	70,000 hrs
warranty	3 Years (36 month)
certifications	 CE UL US
how to handle	 <ul style="list-style-type: none"> Ceiling surface Mounted Ceiling recessed Type IC Inherently protected Wall surface Mounted NEW Storage Area of a Clothes Closet UL94 (in accordance with the requirements of ASTM E 84, ANSI/UL 723, or CAN/ULC-S102)*

* to be asked at the order time if needed.

CABLE OPTIONS

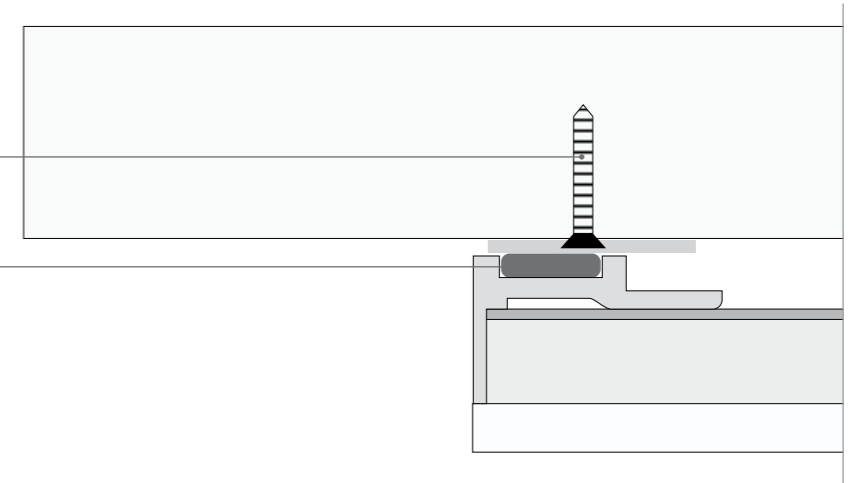


* custom length under request MAX 65.0 feet

STANDARD FIXING ON SURFACES AND RECESS CEILING, WALL OR FURNITURE

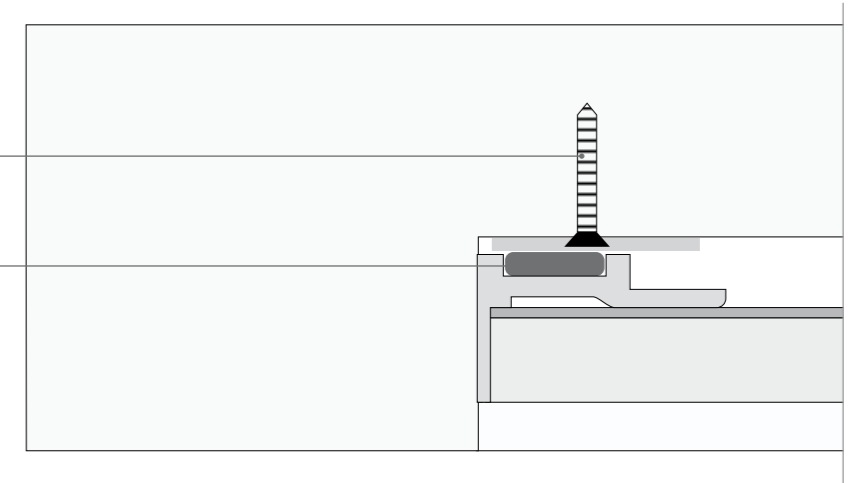
surface

- 1) screw the iron bars on the surface
- 2) position the magnetic Backlight**



recess on surface

- 1) screw the iron bars on the surface
- 2) position the magnetic Backlight**



** Magnets are already attached on the rear side perimeter of Backlight panel

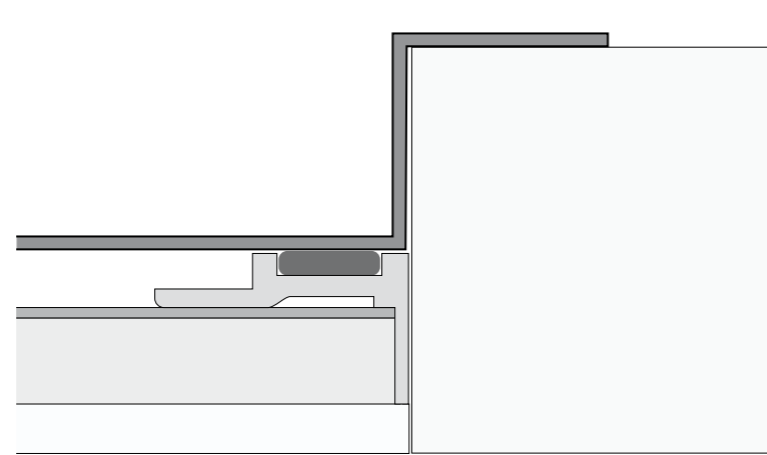
CUSTOM MADE FIXING CHANNELS CEILING, WALL OR FURNITURE

MARKER

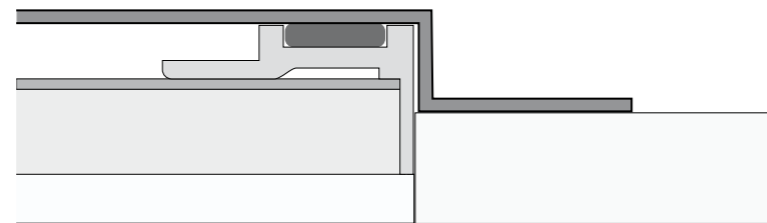
ceiling and furniture

under drawing

if thicker than 15 mm



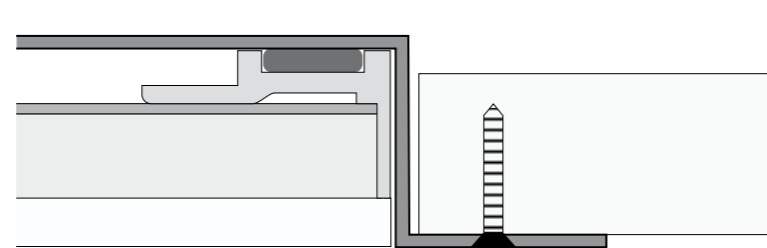
if thinner than 15 mm



ceiling and wall

under drawing

all thickness



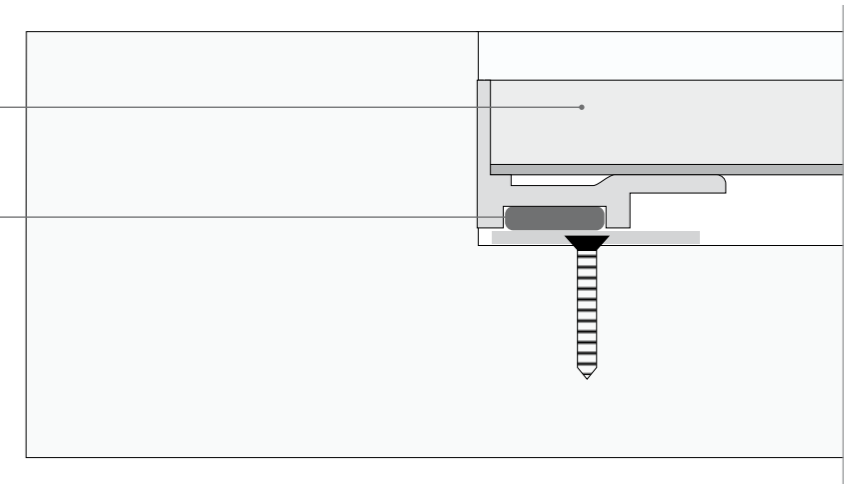
BACKLIGHT

STANDARD FIXING ON FLOOR OR STAIRS

MARKER

1) screw the iron bars
on the floor

2) position the
magnetic Backlight**



** Magnets are already attached on the rear side perimeter of Backlight panel

www.backlightsrl.com

MARKER



BACKLIGHT



MARKER



www.backlightsrl.com

BACKLIGHT srl

Via A. Volta, 5
20876 Ornago (MB)
Italy

+39 0396010396
www.backlightsrl.com
info@backlightsrl.com