



---

*your lighting inspiration*



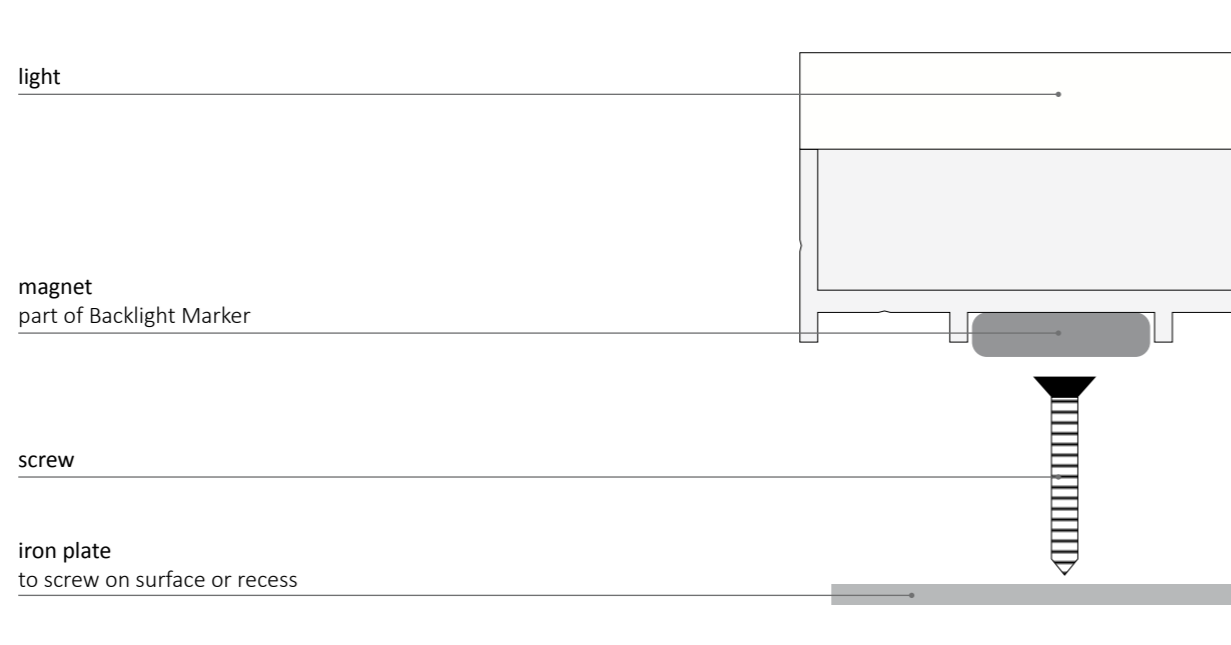
Boundless linearity and geniality.  
A magic pen with which to design the  
architecture of light in any situation.  
Arrogance and personality of those  
who are aware.  
The dot over the “i”.

- 98 SECTION
- 99 POSSIBLE SHAPING
- 100 MADE TO MEASURE
- 101 TECHNICAL SPECS AND HOW TO HANDLE
- 102 CABLE OPTIONS
- 103 STANDARD FIXING ON SURFACE AND RECESS
- 104 CUSTOM MADE FIXING CHANNELS
- 105 STANDARD FIXING ON FLOOR AND STAIRS

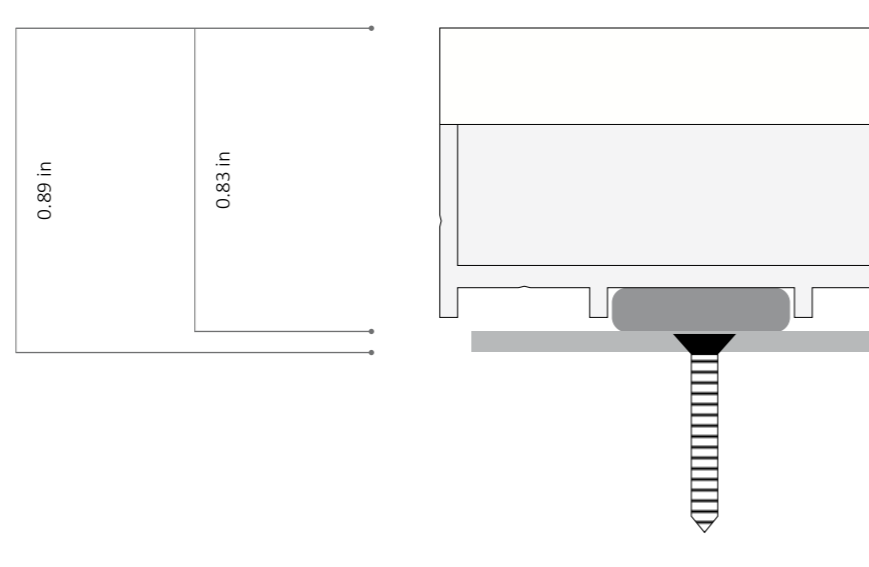


# SECTION

MARKER



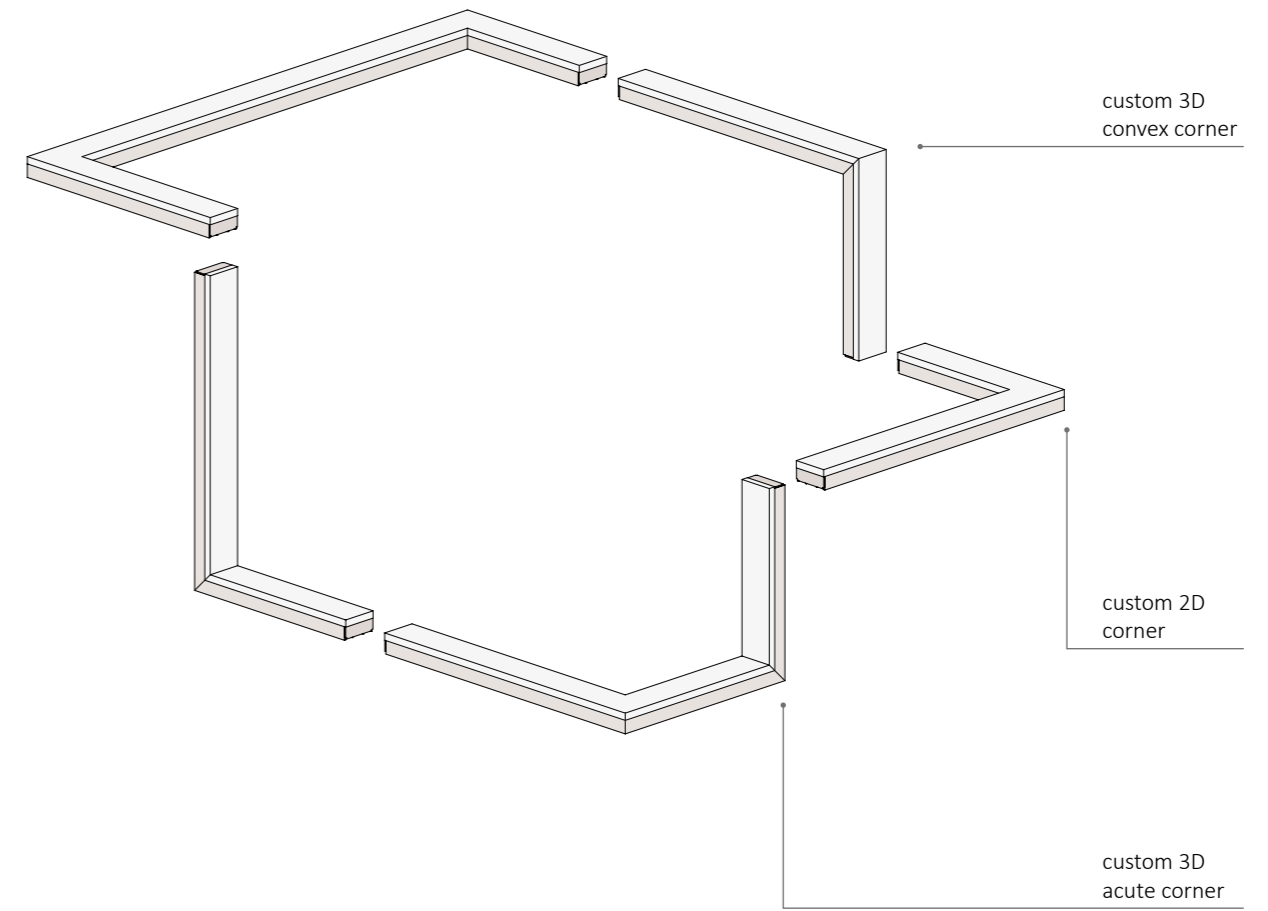
section



BACKLIGHT

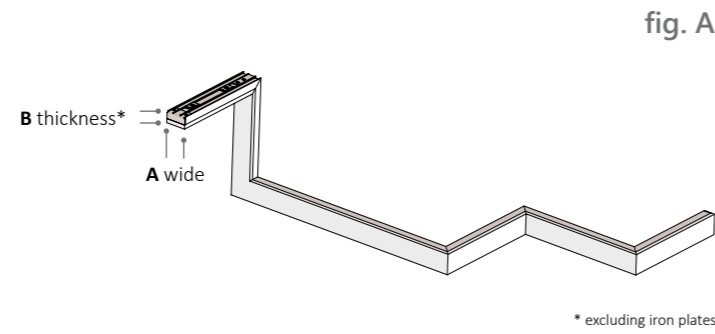
# POSSIBLE SHAPING

MARKER



www.backlightsrfl.com

# MADE TO MEASURE



## 4.5 W per line ft

| name   | A (fig. A)                                                                                       | length and shapes | B (fig. A)                                 | watts per line ft | light temps. available                                                      | cable options                    | lumen package per line ft | lumen delivered per line ft | use                                  |
|--------|--------------------------------------------------------------------------------------------------|-------------------|--------------------------------------------|-------------------|-----------------------------------------------------------------------------|----------------------------------|---------------------------|-----------------------------|--------------------------------------|
| MARKER | 0.6 in<br>1.0 in<br>1.2 in<br>1.4 in<br>1.6 in<br>2.0 in<br>2.2 in<br>3.0 in<br>4.0 in<br>8.0 in | under drawing     | 0.83 in (0.89 in including the iron plate) | 4.5 W             | 2700 K<br>3200 K<br>3500 K<br>4100 K<br>5000 K<br>Tunable W<br>RGB<br>RGB+W | A<br>B<br>C<br>D<br>(see p. 102) | 425.0 lm                  | 280.0 lm                    | W (wall)<br>C (ceiling)<br>F (floor) |

## HOW TO CODIFY

| name   | A (fig. A) | light temp | cable options | cable length from device* | extending cable length* | use | length and shapes                                                                                                                                |
|--------|------------|------------|---------------|---------------------------|-------------------------|-----|--------------------------------------------------------------------------------------------------------------------------------------------------|
| MARKER | 0.6IN      | 2700 K     | A             | 1FT                       | 10FT                    | W   | Please send the CAD file of Your project to <a href="mailto:info@backlightsrl.com">info@backlightsrl.com</a> You will get a dedicate data sheet. |

example **MARKER-0.6IN-2700K-A-1FT-10FT-W**

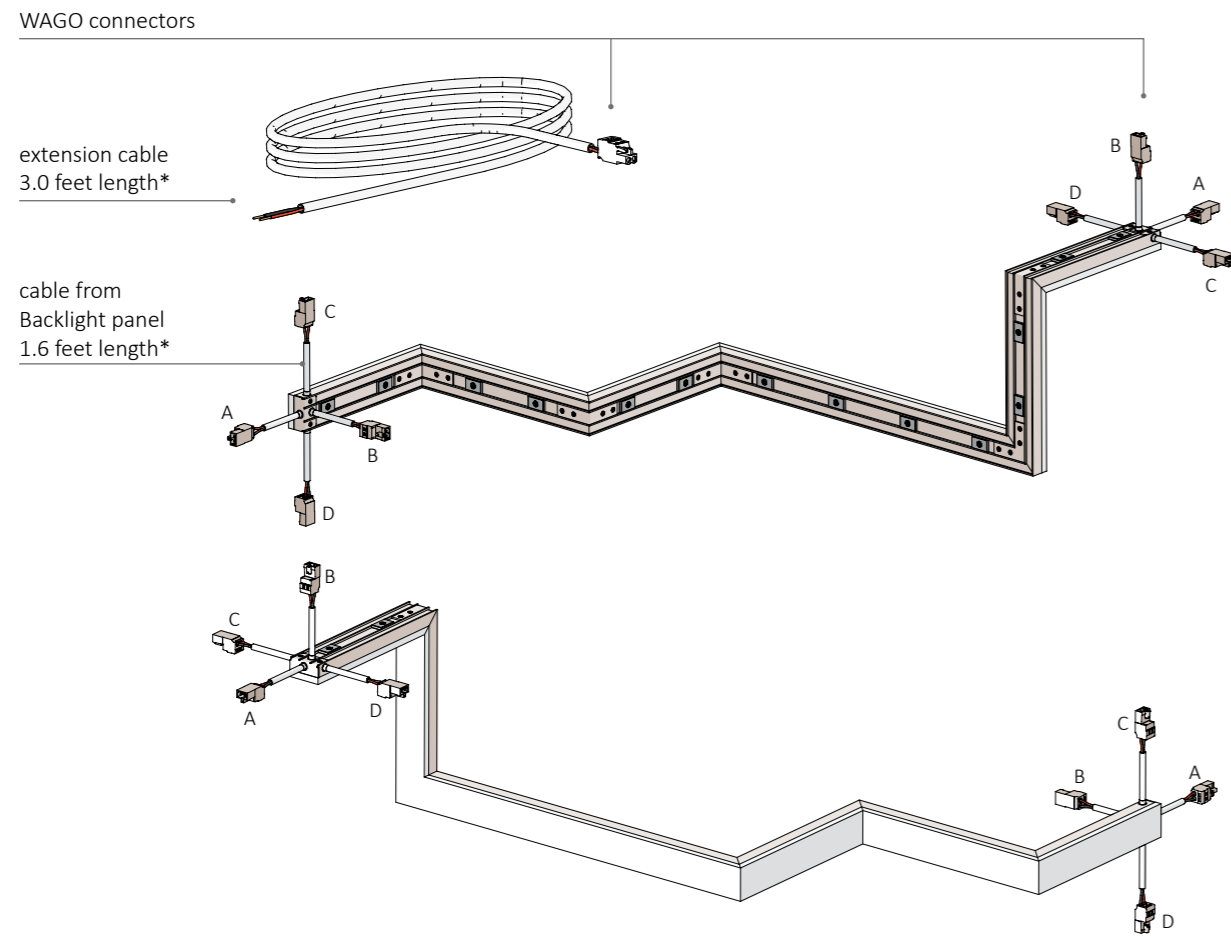
\* under request (min 2 in, max 65 ft)

# TECHNICAL SPECS AND HOW TO HANDLE

|                     |                                                                                                                                                                                                                                                                                                                         |
|---------------------|-------------------------------------------------------------------------------------------------------------------------------------------------------------------------------------------------------------------------------------------------------------------------------------------------------------------------|
| input voltage       | 24V DC                                                                                                                                                                                                                                                                                                                  |
| driver              | AC DC 24V DC OUTPUT (class 2 Power Unit)                                                                                                                                                                                                                                                                                |
| dimmiability        | by all existing systems                                                                                                                                                                                                                                                                                                 |
| power consumption   | 4.5 W per linear ft                                                                                                                                                                                                                                                                                                     |
| min. size           | under drawing                                                                                                                                                                                                                                                                                                           |
| max. size           | under drawing                                                                                                                                                                                                                                                                                                           |
| thickness           | see p. 98                                                                                                                                                                                                                                                                                                               |
| weight              | 5.7 lbs/sq. ft                                                                                                                                                                                                                                                                                                          |
| IP grade            | IP40 IP54 (under request)                                                                                                                                                                                                                                                                                               |
| colour temperatures | <br>2700 K 3200 K 3500 K 4100 K 5000 K tunable white RGB RGB+W                                                                                                                                                                                                                                                          |
| CRI                 | RA 85 RA min. 90 R9 min. 50                                                                                                                                                                                                                                                                                             |
| lumen package       | 425 lm per linear ft                                                                                                                                                                                                                                                                                                    |
| lumen delivered     | 280 lm per linear ft                                                                                                                                                                                                                                                                                                    |
| life time           | 70,000 hrs                                                                                                                                                                                                                                                                                                              |
| warranty            | 3 Years (36 month)                                                                                                                                                                                                                                                                                                      |
| certifications      | <br><ul style="list-style-type: none"> <li>Ceiling surface Mounted</li> <li>Ceiling recessed Type IC Inherently protected</li> <li>Wall surface Mounted</li> <li><b>NEW</b> Storage Area of a Clothes Closet</li> <li>UL94 (in accordance with the requirements of ASTM E 84, ANSI/UL 723, or CAN/ULC-S102)*</li> </ul> |
| how to handle       |                                                                                                                                                                                                                                                                                                                         |

\* to be asked at the order time if needed.

# CABLE OPTIONS

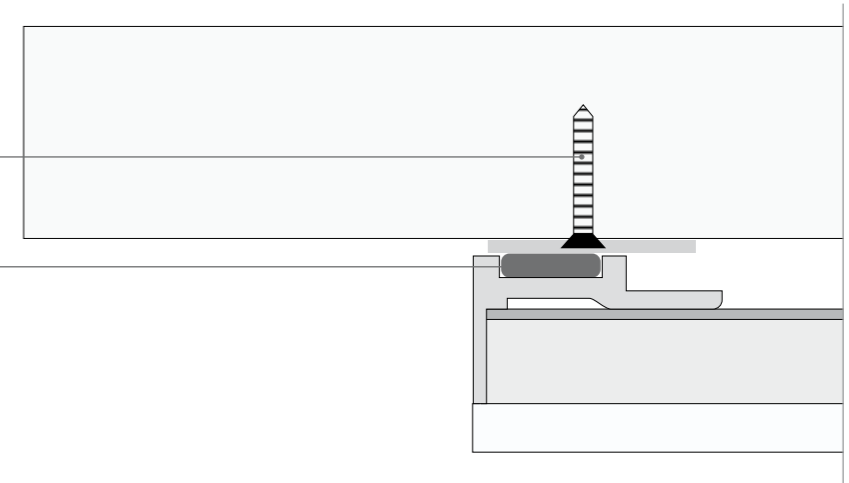


\* custom length under request MAX 65.0 feet

# STANDARD FIXING ON SURFACES AND RECESS CEILING, WALL OR FURNITURE

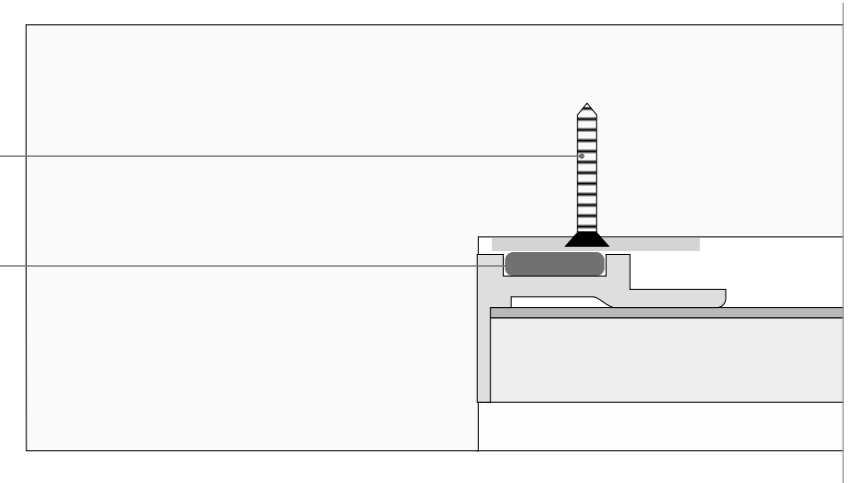
## surface

- 1) screw the iron bars on the surface
- 2) position the magnetic Backlight\*\*



## recess on surface

- 1) screw the iron bars on the surface
- 2) position the magnetic Backlight\*\*



\*\* Magnets are already attached on the rear side perimeter of Backlight panel

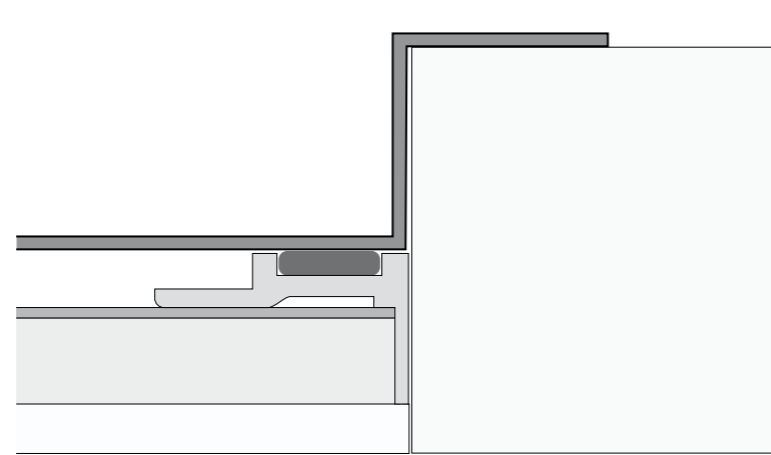
# CUSTOM MADE FIXING CHANNELS CEILING, WALL OR FURNITURE

MARKER

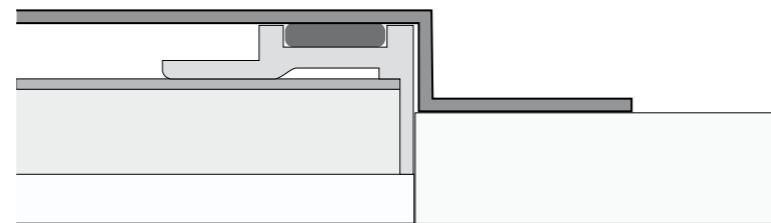
ceiling and furniture

under drawing

if thicker than 0.93 in



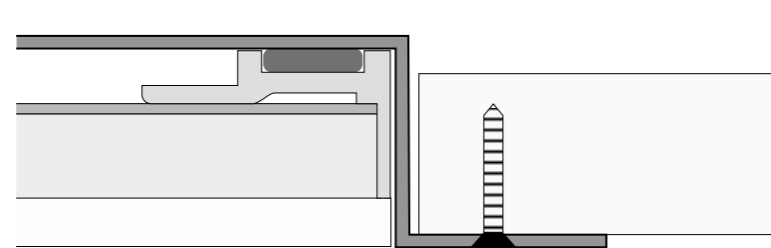
if thinner than 0.93 in



ceiling and wall

under drawing

all thickness



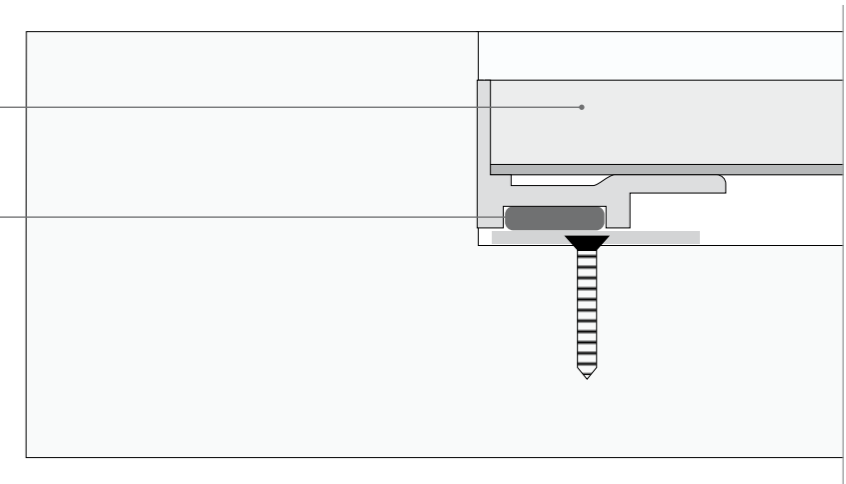
BACKLIGHT

# STANDARD FIXING ON FLOOR OR STAIRS

MARKER

1) screw the iron bars  
on the floor

2) position the  
magnetic Backlight\*\*



\*\* Magnets are already attached on the rear side perimeter of Backlight panel

www.backlightsrl.com

MARKER



BACKLIGHT



MARKER



[www.backlightsrl.com](http://www.backlightsrl.com)

BACKLIGHT srl

Via A. Volta, 5  
20876 Ornago (MB)  
Italy

+39 0396010396  
[www.backlightsrl.com](http://www.backlightsrl.com)  
[info@backlightsrl.com](mailto:info@backlightsrl.com)