



your lighting inspiration



Halo is romantic, cheeky and voluptuous.
Iconic and perfect in its linearity.
It lights like a luminous frame and can model
a space with style or enrich a project.
An always welcome presence.

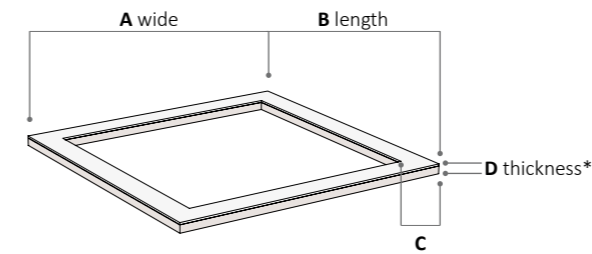
- 84 SECTION STANDARD
- 85 STANDARD
- 86 SECTION MADE TO MEASURE
- 87 MADE TO MEASURE
- 88 TECHNICAL SPECS AND HOW TO HANDLE
- 89 CABLE OPTIONS
- 90 STANDARD FIXING ON SURFACE AND RECESS
- 91 CUSTOM MADE FIXING CHANNELS
- 92 STANDARD FIXING ON FLOOR
- 93 FINISH OPTIONS



SECTION

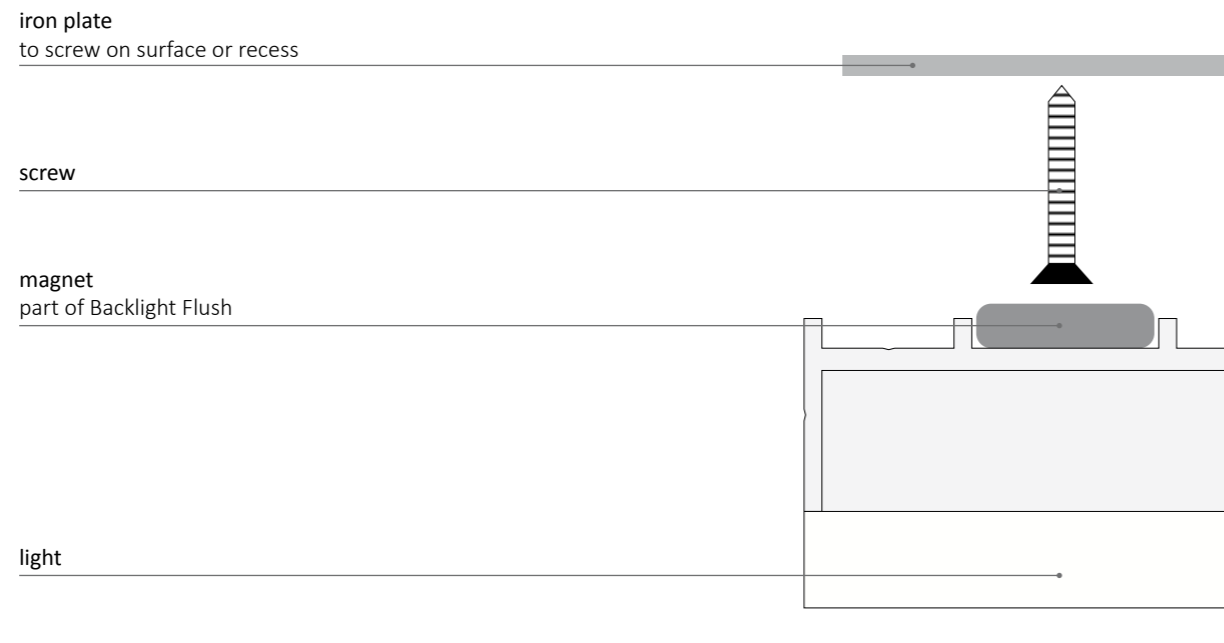
STANDARD

fig. A



* excluding iron plates

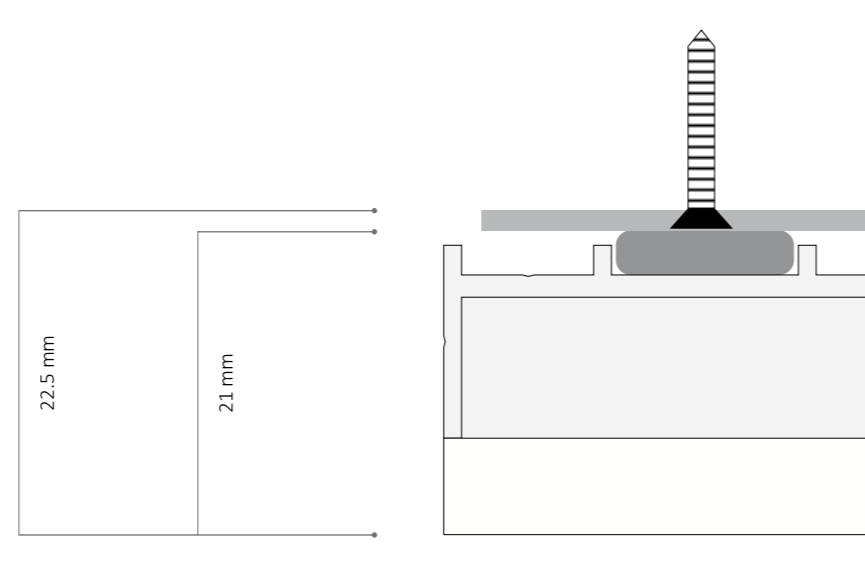
standard models



14 W per line mt of perimeter

name	A (fig. A)	B (fig. A)	C (fig. A)	D (fig. A)	watts per line mt of perimeter	light temps. available	cable options	lumen package per line mt of perimeter	lumen delivered per line mt of perimeter	use
HALO	320 mm 620 mm 920 mm 1220 mm 1520 mm 1820 mm 2120 mm 2420 mm 2720 mm 3020 mm	320 mm 620 mm 920 mm 1220 mm 1520 mm 1820 mm 2120 mm 2420 mm 2720 mm 3020 mm	30 mm 50 mm 76 mm 100 mm	21 mm (22.5 mm including the iron plate)	14 W	2700 K 3200 K 3500 K 4100 K 5000 K TunableW RGB RGB+W	A B C (see p. 89)	1484 mm	890 mm	W (wall) C (ceiling) F (floor)

section



HOW TO CODIFY

name	A (fig. A)	B (fig. A)	C (fig. A)	light temp	cable options	cable length from device*	extending cable length*	use	fixing and finish
HALO	1220MM	1520MM	50MM	2700 K	A	50CM	1MT	W	described

example **HALO-1200MM-1520MM-50MM-2700K-A-50CM-1MT-W**

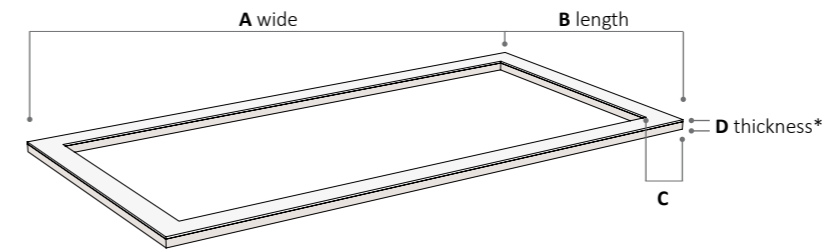
note: the code doesn't specify the fixing system and the finish so, if not differently specified, the device will be supplied with standard finish and fixing system (magnets and iron plate to screw).

* under request (min 2 in, max 65 ft)

SECTION

MADE TO MEASURE

fig. A



* excluding iron plates

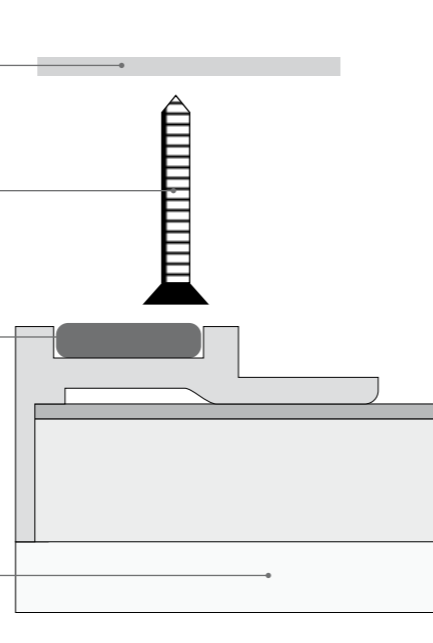
made to measure models

iron plate
to screw on surface or recess

screw

magnet
part of Backlight Flush

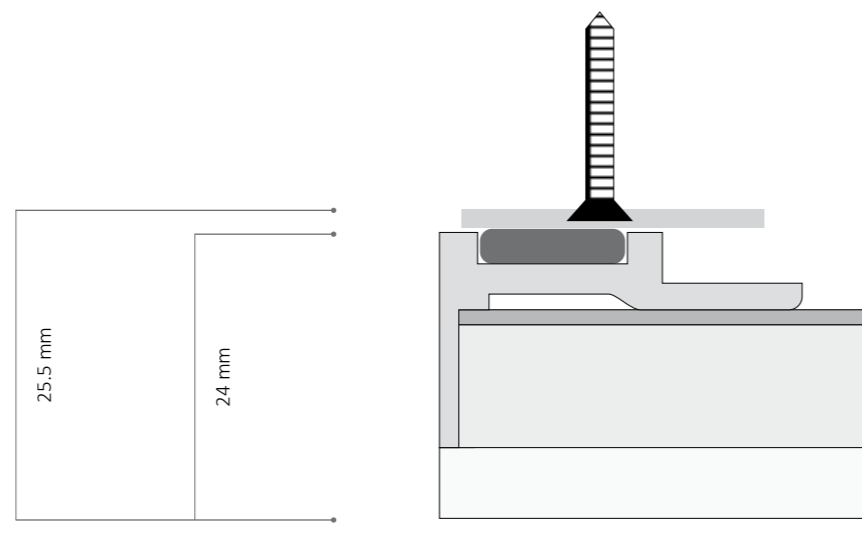
light



14 W per line mt of perimeter

name	A (fig. A)	B (fig. A)	C (fig. A)	D (fig. A)	watts per line mt of perimeter	light temps. available	cable options	lumen package per line mt of perimeter	lumen delivered per line mt of perimeter	use
HALO-C	min 220 mm max 3040 mm	min 220 mm max 3040 mm	min 15 mm max 180 mm	24 mm (25.5 mm including the iron plate)	14 W	2700 K 3200 K 3500 K 4100 K 5000 K TunableW RGB RGB+W	A B C (see p. 89)	1484 mm	890 mm	W (wall) C (ceiling) F (floor)

section



HOW TO CODIFY

name	A (fig. A)	B (fig. A)	C (fig. A)	light temp	cable options	cable length from device*	extending cable length*	use	fixing and finish
HALO-C	844MM	1236MM	86MM	2700 K	A	50CM	1MT	W	described




example **HALO-C-844MM-1236MM-86MM-2700K-A-50CM-1MT-W**

note: the code doesn't specify the fixing system and the finish so, if not differently specified, the device will be supplied with standard finish and fixing system (magnets and iron plate to screw).

* under request (min 2 in, max 65 ft)

TECHNICAL SPECS AND HOW TO HANDLE

HALO

input voltage	24V DC	
driver	AC DC 24V DC OUTPUT (class 2 Power Unit)	
dimmability	by all existing systems	
power consumption	14 W per line mt of perimeter	
min. size	220 mm x 220 mm	
max. size	3040 mm x 3040 mm	
thickness	see pp. 84 and 86	
weight	25.0 Kg/sq. mt	
IP grade	IP40 IP54 (under request)	
colour temperatures	 2700 K 3200 K 3500 K 4100 K 5000 K tunable white RGB RGB+W	
and other K under request		
CRI	RA 85	RA min. 90 R9 min. 50
lumen package	1484 mm per line mt of perimeter	
lumen delivered	890 mm per line mt of perimeter	
life time	70,000 hrs	
warranty	3 Years (36 month)	
certifications	 <ul style="list-style-type: none"> Ceiling surface Mounted Ceiling recessed Type IC Inherently protected Wall surface Mounted NEW Storage Area of a Clothes Closet UL94 (in accordance with the requirements of ASTM E 84, ANSI/UL 723, or CAN/ULC-S102)* 	
how to handle		

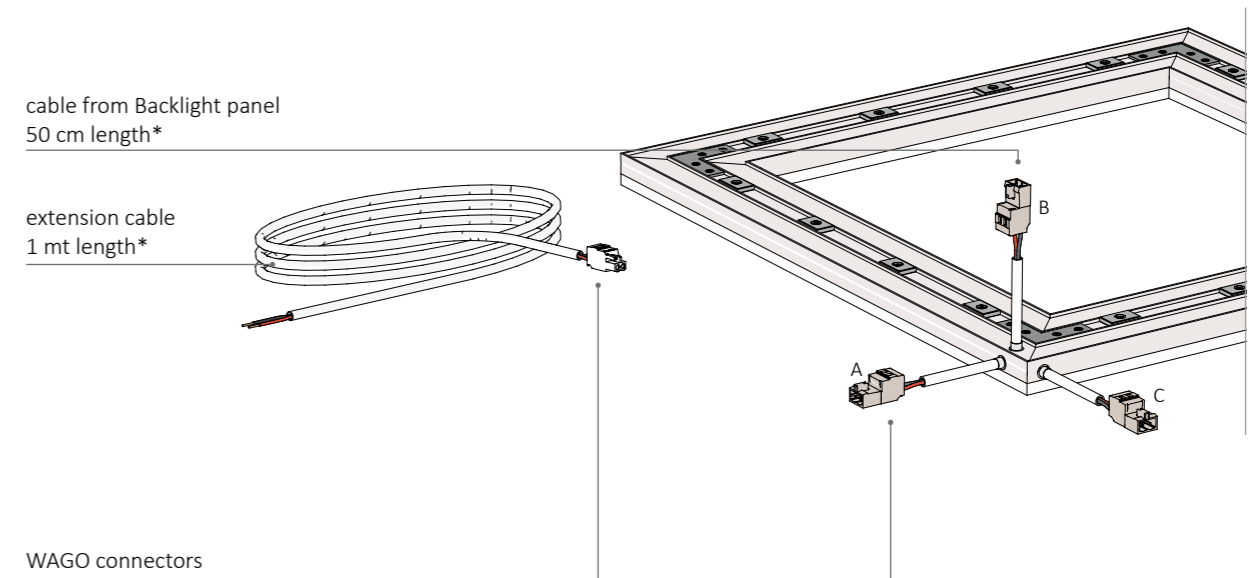
BACKLIGHT

* to be asked at the order time if needed.

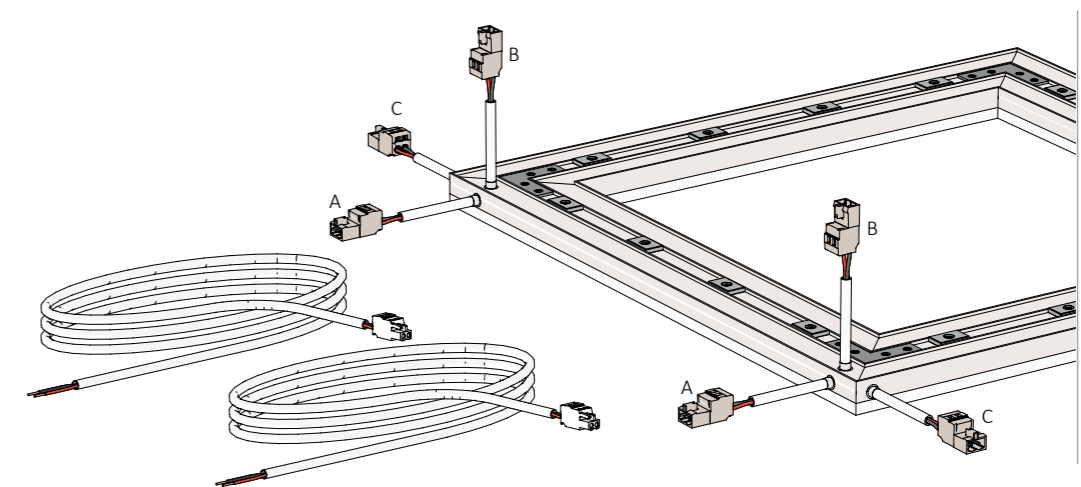
CABLE OPTIONS

HALO

options for 42 W panels



options for panels with power higher then 42W (2 cables needed)



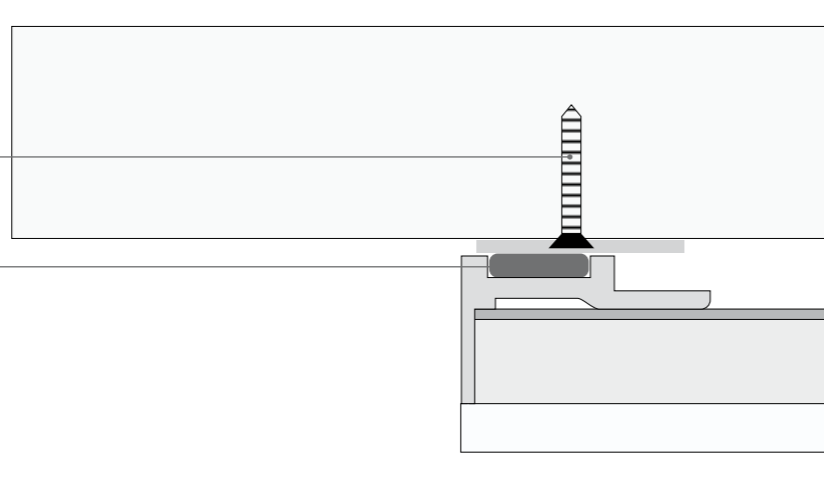
* custom length under request MAX 65.0 feet

www.backlightsrl.com

STANDARD FIXING ON SURFACES AND RECESS CEILING, WALL OR FURNITURE

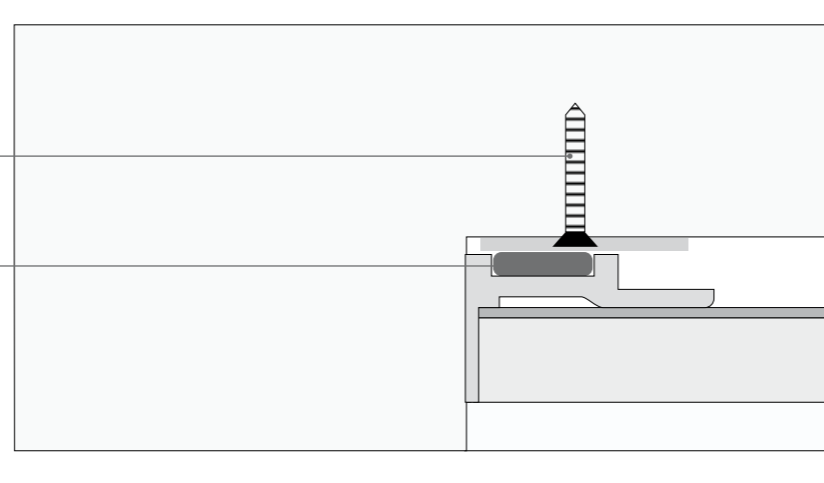
surface

- 1) screw the iron bars on the surface
- 2) position the magnetic Backlight**



recess on surface

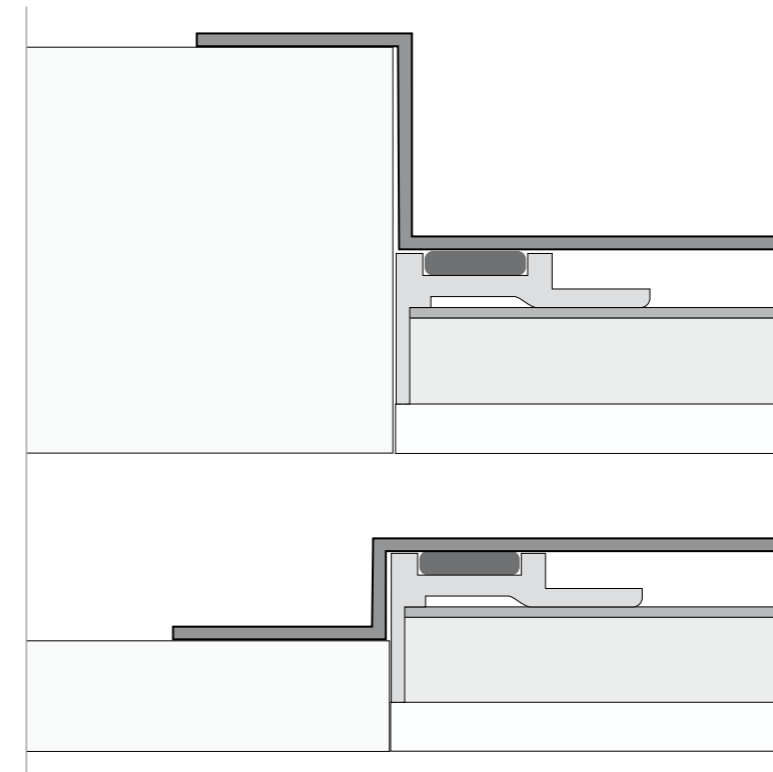
- 1) screw the iron bars on the surface
- 2) position the magnetic Backlight**



** Magnets are already attached on the rear side perimeter of Backlight panel

CUSTOM MADE FIXING CHANNELS CEILING, WALL OR FURNITURE

ceiling and furniture

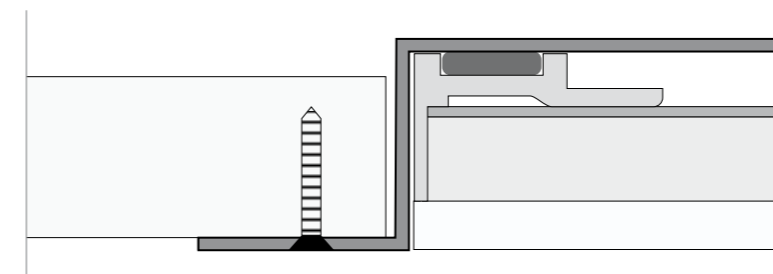


under drawing

if thicker than 18 mm

if thinner than 18 mm

ceiling and wall



under drawing

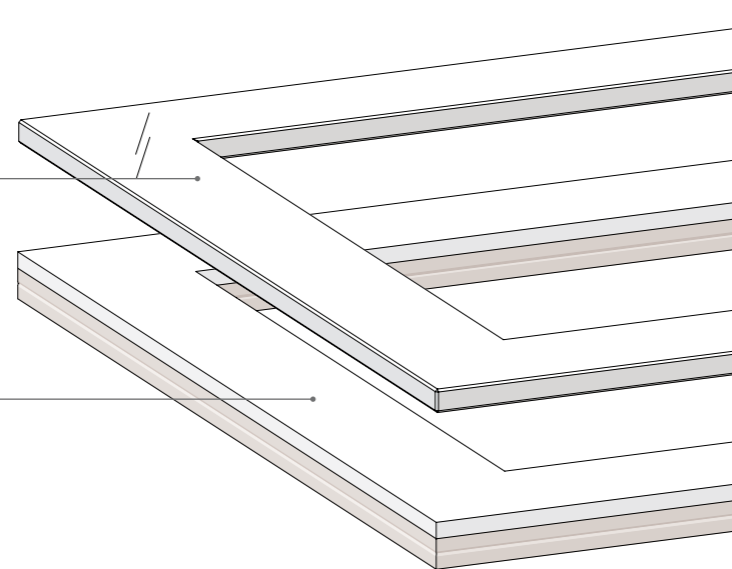
all thickness

STANDARD FIXING ON FLOOR

extraclear glass
to be insulated by
plaster all around
the perimeter

Backlight Panel to be put directly
on the existing floor be ensured that it
is rigid and flat

Do not leave any powder between
Backlight and floor



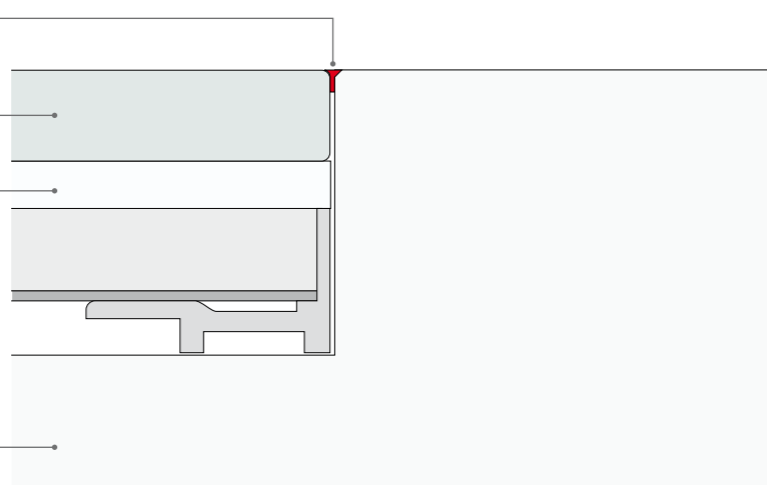
section

plaster silicone
all around the perimeter

glass sheet
or translucent stone

Backlight panel

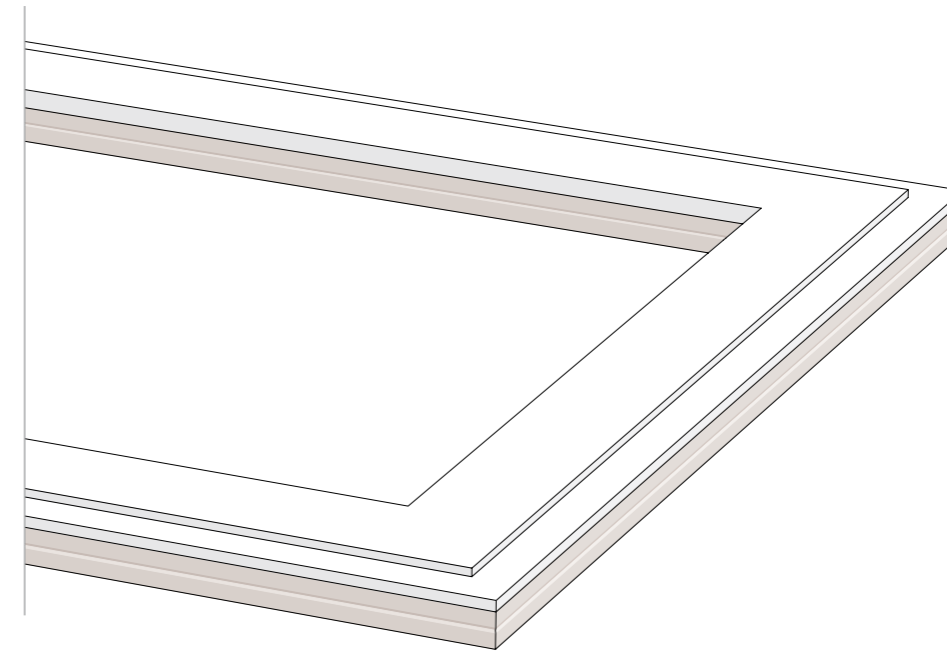
existing floor



FINISH OPTIONS PMMA FACE WORKING

lowering of the surface along on the surface along two sides
or along the entire perimeter to go flush with your framing

on lighting surface



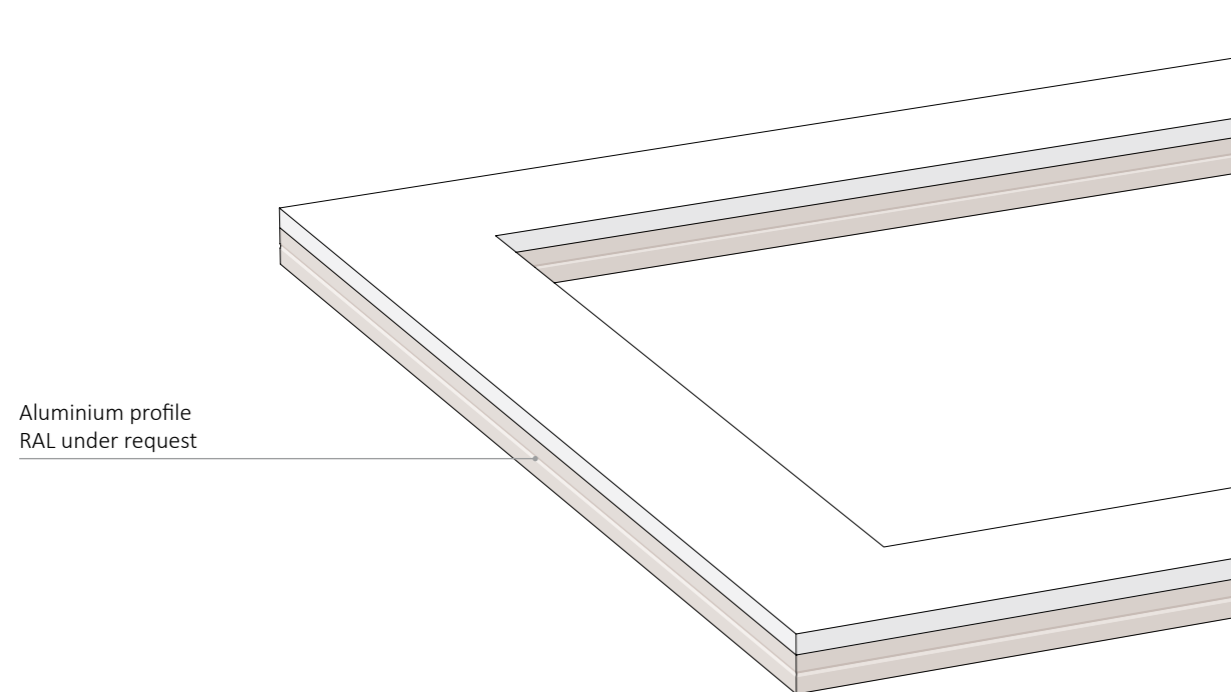
wide and depth
according with
your profile and
to be communicated
at order time

FINISH OPTIONS

EDGE PROFILE

out of standard available for a MOQ to be agreed

profile



FINISH OPTIONS

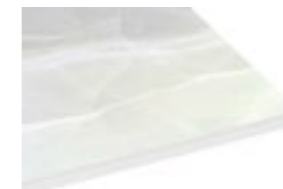
PRINTING TEXTURES

standard marble collection

printing on backlight surface using a new UV technology



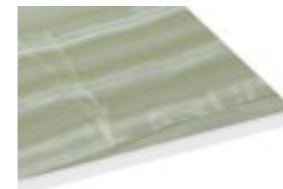
HONEY



WHITE ONYX



WHITE ONYX 2



JADE GREEN



BKL MARBLE

custom file

printing on backlight surface using a new UV technology



1) DESIGNER
to choice/create an High Resolution
image and e-mail the HR Jpeg File to
Backlight srl

2) BACKLIGHT srl
will produce the lighting
custom texture panel
100% under request by: size, K, cable option, fixing

HALO



BACKLIGHT

HALO

www.backlightsrl.com

BACKLIGHT srl

Via A. Volta, 5
20876 Ornago (MB)
Italy

+39 0396010396
www.backlightsrl.com
info@backlightsrl.com